



*New*

**BELLA**

COLLECTION

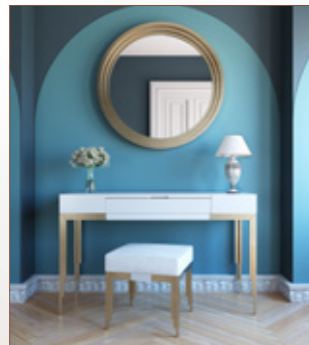


Franco Furniture

New  
**BELLA**  
COLLECTION



NB01 Pag. 06



NB02 Pag. 09



NB03 Pag. 12



NB04 Pag. 14



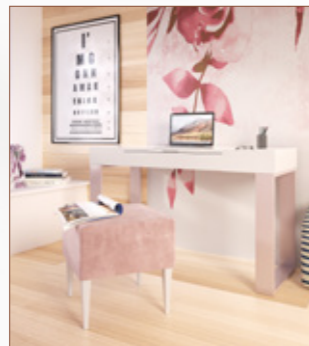
NB05 Pag. 16



NB06 Pag. 18



NB07 Pag. 20



NB08 Pag. 22



NB09 Pag. 24



NB10 Pag. 27



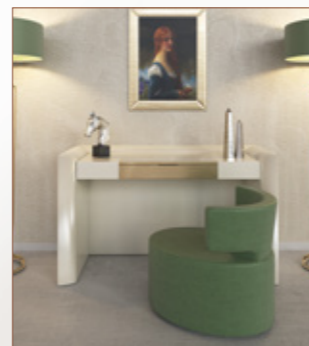
NB11 Pag. 30



NB12 Pag. 32



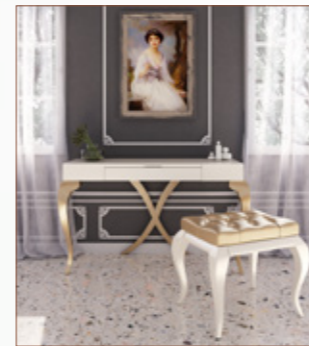
NB13 Pag. 34



NB14 Pag. 36



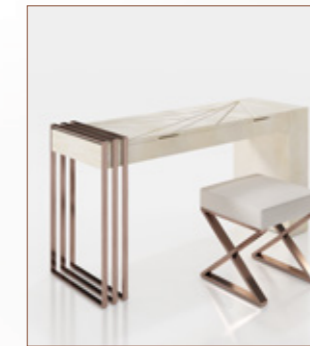
NB15 Pag. 38



NB16 Pag. 40



NB17 Pag. 42



NB18 Pag. 44



NB19 Pag. 46



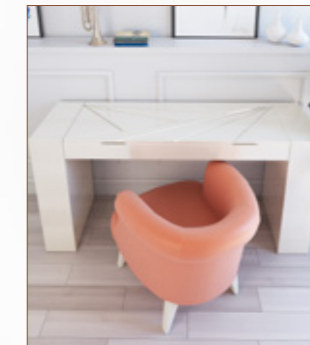
NB20 Pag. 48



NB21 Pag. 50



NB22 Pag. 52



NB23 Pag. 54



NB24 Pag. 56



NB25 Pag. 58



NB26 Pag. 60



NB27 Pag. 62



NB28 Pag. 64



NB29 Pag. 66



NB30 Pag. 68



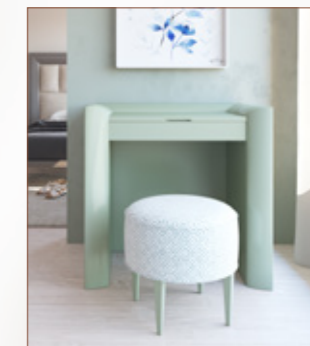
NB31 Pag. 70



NB32 Pag. 72



NB33 Pag. 74



NB34 Pag. 76



NB35 Pag. 78



NB01

Tocador R. 42050  
/Vanity Dresser  
Color 162 Color 041

Espejo R. 58520  
/Mirror  
Color 041

Banqueta R. 42093  
/Stool  
Color 041 Star Crema





## NB02

Tocador R. 42010  
/Vanity Dresser  
Color 120 Color 041

Espejo R. 40048  
/Mirror  
Color 041

Banqueta R. 42093  
/Stool  
Color 041 Color 120 Warp White







### NB03

Tocador R. 42068  
/Vanity Dresser  
Color 121 Color 044

Espejo R. 45383  
/Mirror  
Color 121

Banqueta R. 45364  
/Stool  
Fluid 06









## NB05

Tocador R. 42056  
/Vanity Dresser  
Color 148 Color 041

Espejo R. 42082  
/Mirror  
Color 148

Banqueta R. 45364  
/Stool  
Vanity Oro

# NB06

Tocador R. 42052  
/Vanity Dresser  
Color 141 Color 043

Espejo R. 58528  
/Mirror  
Color 043

Banqueta R. 42092  
/Stool  
Color 043 Versatil 51





## NB07

Tocador R. 42062  
/Vanity Dresser  
Color 120

Espejo R. 45383  
/Mirror  
Color 120

Silla R. 40806  
/Chair  
Color 120 Fluid 04



**NB08**

Tocador R. 42016  
/Vanity Dresser  
Color 120 Color 149

Banqueta R. 45354  
/Stool  
Color 120 Paris Salmon





NB09

Tocador R. 42008  
/Vanity Dresser  
Color 120 Color 040

Banqueta R. 45358  
/Stool  
Star Nube Star Plata



## NB10

Tocador R. 42022 / Vanity Dresser  
Color 121 Color 041

Banqueta R. 45357 / Stool  
Color 121 / Bouquet 02



NB11

Tocador R. 42042  
/Vanity Dresser  
Color 184 Color 162

Banqueta R. 45353  
/Stool  
Vanity Marfil





## NB12

Tocador R. 42062  
/Vanity Dresser  
Color 120

Espejo R. 45624  
/Mirror  
Color 120

Banqueta R. 45351  
/Stool  
Color 120 Bouquet 02



# NB13

Tocador R. 42036  
/Vanity Dresser  
Color 150 Color 046

Banqueta R. 42090  
/Stool  
Color 150 Versatil 60





## NB14

Tocador R. 42004  
/Vanity Dresser  
Color 162 Color 041

Banqueta R. 45355  
/Stool  
Versatil 51

# NB15

Tocador R. 42078  
/Vanity Dresser  
Color 120 Color 041

Espejo R. 42082  
/Mirror  
Color 120

Puff R. 45361  
/Pouf  
Warp Gold





## NB16

Tocador R. 42024  
/Vanity Dresser  
Color 162 Color 160

Banqueta R. 45351  
/Stool  
Color 162 Star Oro

# NB17

Tocador R. 42054  
/Vanity Dresser  
Color 143 Color 041

Espejo R. 45383  
/Mirror  
Color 143

Banqueta R. 42092  
/Stool  
Color 041 Samui 01



# NB18

Tocador R.42040 /Vanity Dresser  
Color 121 Color 043

Banqueta R. 42090 /Stool  
Color 043 Warp White





# NB19

Tocador R. 42046  
/Vanity Dresser  
Color 120 Color 160

Banqueta R. 45351  
/Stool  
Color 160 Vanity Blanco





# NB20

Tocador R. 42018  
/Vanity Dresser  
Color 120 Color 041

Banqueta R. 42090  
/Stool  
Color 041 Vanity Blanco





## NB21

Tocador R. 42066  
/Vanity Dresser  
Color 120

Espejo R. 57710  
/Mirror  
Color 120

Banqueta R. 45358  
/Stool  
Vanity Blanco Star Plata





## NB22

Tocador R. 42060  
/Vanity Dresser  
Color 152 Color 004

Espejo R. 45383  
/Mirror  
Color 152

Banqueta R. 45351  
/Stool  
Color 004 Star Crema



**NB23**

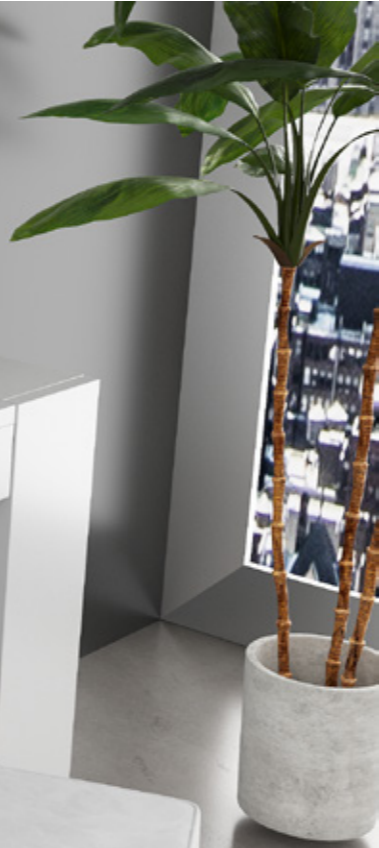
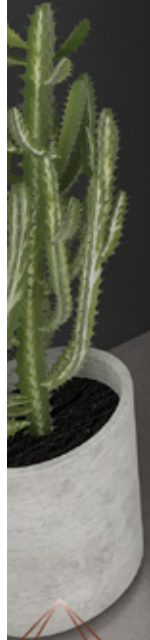
Tocador R. 42044 /Vanity Dresser  
Color 162 Color 184

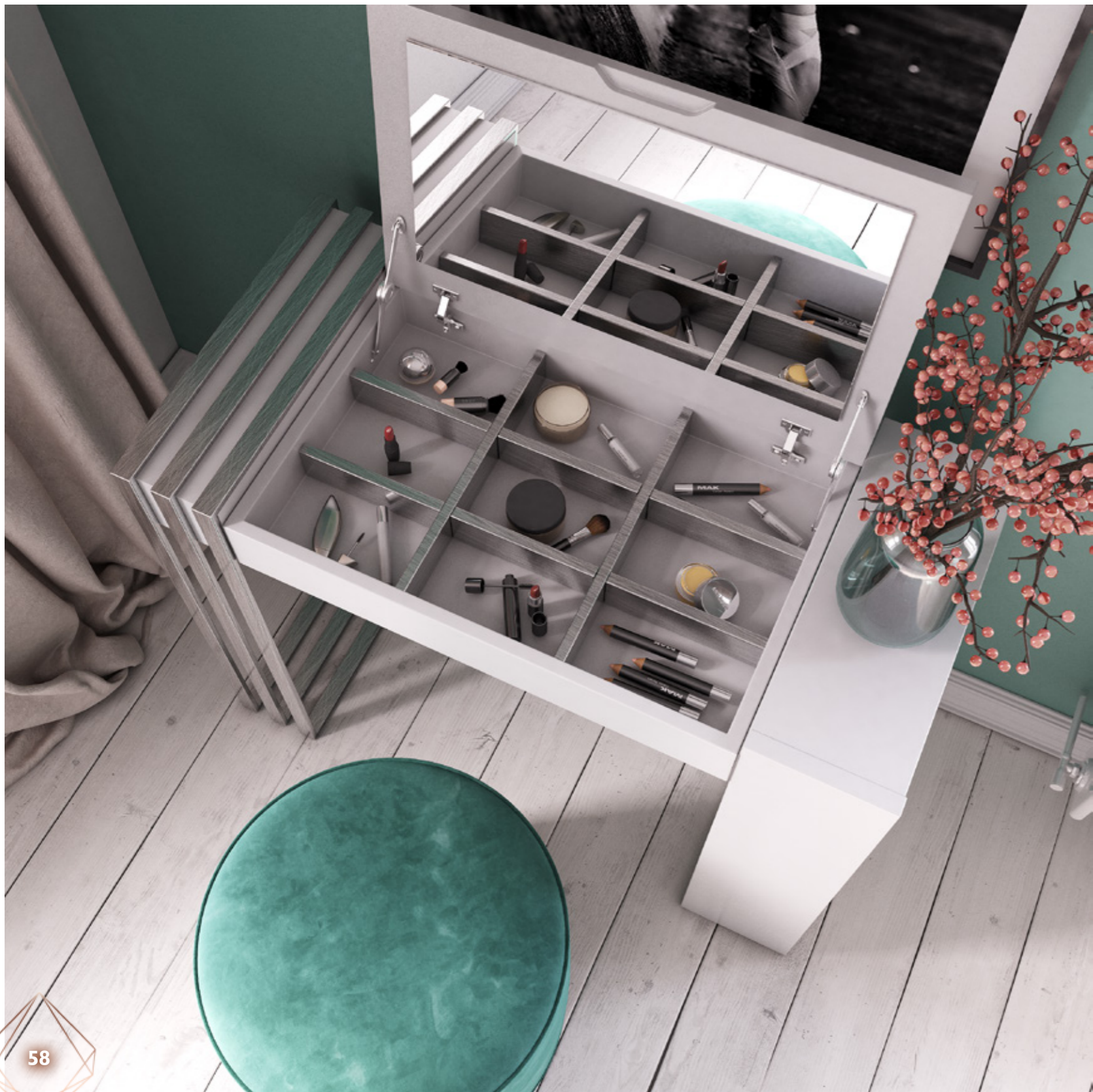
Banqueta R. 45359 /Stool  
Color 162 Versatil 34

# NB24

Tocador R. 42032  
/Vanity Dresser  
Color 120 Color 151

Banqueta R. 42091  
/Stool  
Color 151 Paris Cream





## NB25

Tocador R. 42006  
/Vanity Dresser  
Color 120 Color 040

Puff R. 45361  
/Pouf  
Paris Petrol





## NB26

Tocador R. 42058  
/Vanity Dresser  
Color 162 Color 140

Espejo R. 70087  
/Mirror  
Color 162

Puff R. 45361  
/Pouf  
Paris Dark Blue





NB27

Tocador R. 42030  
/Vanity Dresser  
Color 138 Color 147

Banqueta R. 42090  
/Stool  
Color 147 Paris Mouse





# NB28

Tocador R. 42064  
/Vanity Dresser  
Color 120 Color 142

Espejo R. 45364  
/Mirror  
Color 120

Banqueta R. 48873  
/Stool  
Warp Petrol Blue

**NB29**

Tocador R. 42038  
/Vanity Dresser  
Color 147

Banqueta R. 45364  
/Stool  
Color 151  
Bengal Negro



## NB30

Tocador R. 42070  
/Vanity Dresser  
Color 162 Color 142

Espejo R. 58520  
/Mirror  
Color 142

Banqueta R. 45354  
/Stool  
Color 162  
Paris Dark Blue



# NB31

Tocador R. 42012  
/Vanity Dresser  
Color 120 Color 041

Banqueta R. 42091  
/Stool  
Color 041 Warp White



# NB32

Tocador R. 42076  
/Vanity Dresser  
Color 120 Color 040

Espejo R. 57710  
/Mirror  
Color 120

Banqueta R. 45364  
/Stool-  
Fluid 06





## NB33

Tocador R. 42072  
/Vanity Dresser  
Color 120 Color 041

Espejo R. 57710  
/Mirror  
Color 120

Banqueta R. 45354  
/Stool  
Color 120 Victoria Gold





## NB34

Tocador R. 42002  
/Vanity Dresser  
Color 141

Banqueta R. 45357  
/Stool  
Color 141 Besora 09





78



NB35

Tocador R. 42046  
/Vanity Dresser  
Color 142 Color 041

Banqueta R. 45363  
/Stool  
Color 041 Paris Safira

79



|  | PAG / PAGE | UD / QTY | ANCHO /   | ALTO / | FONDO / | VOL / | MATE / MATT | ALTO BRILLO / HIGH GLOSS |
|--|------------|----------|-----------|--------|---------|-------|-------------|--------------------------|
|  |            |          | WIDTH     | HEIGHT | DEPTH   | VOLUM |             |                          |
|  |            |          | (W)       | (H)    | (D)     | E     |             |                          |
|  |            |          | cm / inch |        |         | m3    |             |                          |

**NB.01** COLOR 162 MATE / PATAS Y TIRADORES 041 METALIZADO / TAPIZADO STAR CREMA

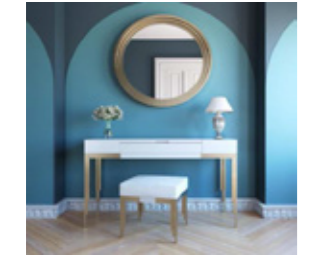


|                 |                                    |     |   |     |     |    |      |      |      |
|-----------------|------------------------------------|-----|---|-----|-----|----|------|------|------|
| 42050           | TOCADOR                            | 95  | 1 | 140 | 80  | 50 | 0,4  | 730  | 913  |
| 42093           | BANQUETA                           | 106 | 1 | 50  | 50  | 50 | 0,17 | 194  |      |
| 58520           | ESPEJO METALICO PARTIDO 100x100 cm | 100 | 1 | 100 | 100 | 10 | 0,17 | 170  |      |
| TOTAL MODULARES |                                    |     |   |     |     |    | 0,74 | 1094 | 1277 |

COLOUR 162 MATT / LEGS & HANDLES 041 METALIC / FABRIC STAR CREMA

|               |                      |     |   |       |       |       |      |      |      |
|---------------|----------------------|-----|---|-------|-------|-------|------|------|------|
| 42050         | VANITY DRESSER       | 95  | 1 | 55,12 | 31,5  | 19,69 | 0,4  | 730  | 913  |
| 42093         | STOOL                | 106 | 1 | 19,69 | 19,69 | 19,69 | 0,17 | 194  |      |
| 58520         | METAL MIRROR DIVIDED | 100 | 1 | 39,37 | 39,37 | 3,94  | 0,17 | 170  |      |
| TOTAL MODULES |                      |     |   |       |       |       | 0,74 | 1094 | 1277 |

**NB.02** COLOR 120 MATE / PATAS Y ESPEJO 041 METALIZADO / TAPIZADO WARP WHITE

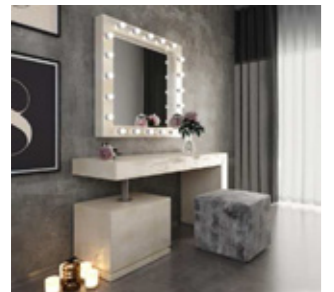


|                 |                         |     |   |     |     |    |      |     |      |
|-----------------|-------------------------|-----|---|-----|-----|----|------|-----|------|
| 42010           | TOCADOR                 | 90  | 1 | 130 | 80  | 50 | 0,63 | 572 | 686  |
| 40048           | ESPEJO REDONDO ESCALERA | 101 | 1 | 100 | 100 | 4  | 0,1  | 217 | 268  |
| 42093           | BANQUETA                | 106 | 1 | 50  | 50  | 50 | 0,17 | 194 |      |
| TOTAL MODULARES |                         |     |   |     |     |    | 0,9  | 983 | 1148 |

COLOUR 120 MATT / LEGS & MIRROR 041 METALIC / FABRIC WARP WHITE

|               |                |     |   |       |       |       |      |     |      |
|---------------|----------------|-----|---|-------|-------|-------|------|-----|------|
| 42010         | VANITY DRESSER | 90  | 1 | 51,18 | 31,5  | 19,69 | 0,63 | 572 | 686  |
| 40048         | MIRROR         | 101 | 1 | 39,37 | 39,37 | 1,57  | 0,1  | 217 | 268  |
| 42093         | STOOL          | 106 | 1 | 19,69 | 19,69 | 19,69 | 0,17 | 194 |      |
| TOTAL MODULES |                |     |   |       |       |       | 0,9  | 983 | 1148 |

**NB.03** COLOR 121 MATE / DIVISORES 044 METALIZADO / TAPIZADO FLUID 06



|                 |                  |     |   |     |     |    |      |     |      |
|-----------------|------------------|-----|---|-----|-----|----|------|-----|------|
| 42068           | TOCADOR          | 97  | 1 | 140 | 80  | 50 | 0,49 | 524 | 655  |
| 45383           | ESPEJO BOMBILLAS | 99  | 1 | 100 | 100 | 10 | 0,17 | 280 | 350  |
| 45364           | BANQUETA         | 106 | 1 | 50  | 50  | 50 | 0,17 | 95  | 95   |
| TOTAL MODULARES |                  |     |   |     |     |    | 0,83 | 899 | 1100 |

COLOUR 121 MATT / DIVISORS 044 METALIC / FABRIC FLUID 06

|               |                         |     |   |       |       |       |      |     |      |
|---------------|-------------------------|-----|---|-------|-------|-------|------|-----|------|
| 42068         | VANITY DRESSER          | 97  | 1 | 55,12 | 31,5  | 19,69 | 0,49 | 524 | 655  |
| 45383         | MIRROR WITH LIGHT BULBS | 99  | 1 | 39,37 | 39,37 | 3,94  | 0,17 | 280 | 350  |
| 45364         | STOOL                   | 106 | 1 | 19,69 | 19,69 | 19,69 | 0,17 | 95  | 95   |
| TOTAL MODULES |                         |     |   |       |       |       | 0,83 | 899 | 1100 |

**NB.04** COLOR 142 MATE / DETALLES 121 MATE / TAPIZADO SAMUI 01



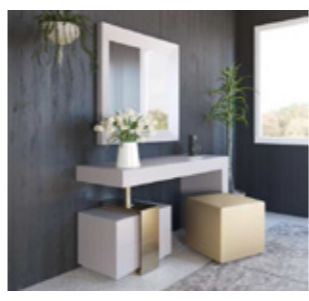
|                 |                   |     |   |     |     |    |      |     |      |
|-----------------|-------------------|-----|---|-----|-----|----|------|-----|------|
| 42020           | TOCADOR           | 91  | 1 | 130 | 80  | 50 | 0,24 | 502 | 628  |
| 45353           | BANQUETA EN U     | 108 | 1 | 75  | 50  | 50 | 0,24 | 174 | 174  |
| 45381           | ESPEJO ASIMETRICO | 103 | 1 | 100 | 100 | 4  | 0,1  | 217 | 268  |
| TOTAL MODULARES |                   |     |   |     |     |    | 0,58 | 893 | 1070 |

COLOUR 142 MATT / DETAILS 121 MATT / FABRIC SAMUI 01

|               |                |     |   |       |       |       |      |     |      |
|---------------|----------------|-----|---|-------|-------|-------|------|-----|------|
| 42020         | VANITY DRESSER | 91  | 1 | 51,18 | 31,5  | 19,69 | 0,24 | 502 | 628  |
| 45353         | STOOL          | 108 | 1 | 29,53 | 19,69 | 19,69 | 0,24 | 174 | 174  |
| 45381         | MIRROR         | 103 | 1 | 39,37 | 39,37 | 1,57  | 0,1  | 217 | 268  |
| TOTAL MODULES |                |     |   |       |       |       | 0,58 | 893 | 1070 |

|  | PAG / PAGE | UD / QTY | ANCHO /   | ALTO / | FONDO / | VOL / | MATE / MATT | ALTO BRILLO / HIGH GLOSS |
|--|------------|----------|-----------|--------|---------|-------|-------------|--------------------------|
|  |            |          | WIDTH     | HEIGHT | DEPTH   | VOLUM |             |                          |
|  |            |          | (W)       | (H)    | (D)     | E     |             |                          |
|  |            |          | cm / inch |        |         | m3    |             |                          |

**NB.05** COLOR 148 MATE / TIRADORES Y SEPARADORES 041 MATE / TAPIZADO VANITY ORO



|                 |                        |     |   |     |     |    |      |     |     |
|-----------------|------------------------|-----|---|-----|-----|----|------|-----|-----|
| 42056           | TOCADOR                | 96  | 1 | 140 | 80  | 50 | 0,49 | 515 | 644 |
| 42082           | ESPEJO KORA 100x100 cm | 102 | 1 | 100 | 100 | 5  | 0,11 | 116 | 145 |
| 45364           | BANQUETA               | 106 | 1 | 50  | 50  | 50 | 0,17 | 95  | 95  |
| TOTAL MODULARES |                        |     |   |     |     |    | 0,77 | 726 | 884 |

COLOUR 148 MATT / HANDLES & DIVISORS 041 MATT / FABRIC VANITY ORO

|               |                |     |   |       |       |       |      |     |     |
|---------------|----------------|-----|---|-------|-------|-------|------|-----|-----|
| 42056         | VANITY DRESSER | 96  | 1 | 55,12 | 31,5  | 19,69 | 0,49 | 515 | 644 |
| 42082         | KORA MIRROR    | 102 | 1 | 39,37 | 39,37 | 1,97  | 0,11 | 116 | 145 |
| 45364         | STOOL          | 106 | 1 | 19,69 | 19,69 | 19,69 | 0,17 | 95  | 95  |
| TOTAL MODULES |                |     |   |       |       |       | 0,77 | 726 | 884 |

**NB.06** COLOR 141 MATE / PATAS Y SEPARADORES 043 METALIZADO / TAPIZADO VERSATIL 51



|                 |  |     |   |     |     |    |      |     |      |
|-----------------|--|-----|---|-----|-----|----|------|-----|------|
| 42052           | TOCADOR                                  | 95  | 1 | 140 | 80  | 50 | 0,43 | 590 | 738  |
| 58528           | ESPEJO CIRCULAR METALICO DIÁMETRO 100 cm | 100 | 1 | 100 | 100 | 10 | 0,17 | 200 |      |
| 42092           | BANQUETA                                 | 105 | 1 | 50  | 50  | 50 | 0,17 | 143 |      |
| TOTAL MODULARES |  |     |   |     |     |    | 0,77 | 933 | 1081 |

COLOUR 141 MATT / LEGS & DIVISORS 043 METALIC / FABRIC VERSATIL 51

|               |                    |     |   |       |       |       |      |     |      |
|---------------|--------------------|-----|---|-------|-------|-------|------|-----|------|
| 42052         | VANITY DRESSER     | 95  | 1 | 55,12 | 31,5  | 19,69 | 0,43 | 590 | 738  |
| 58528         | ROUND METAL MIRROR | 100 | 1 | 39,37 | 39,37 | 3,94  | 0,17 | 200 |      |
| 42092         | STOOL              | 105 | 1 | 19,69 | 19,69 | 19,69 | 0,17 | 143 |      |
| TOTAL MODULES |                    |     |   |       |       |       | 0,77 | 933 | 1081 |

**NB.07** COLOR 120 MATE / TAPIZADO FLUID 04



|                 |                  |     |   |     |     |    |      |     |      |
|-----------------|------------------|-----|---|-----|-----|----|------|-----|------|
| 42062           | TOCADOR          | 96  | 1 | 140 | 80  | 50 | 0,49 | 524 | 655  |
| 45383           | ESPEJO BOMBILLAS | 99  | 1 | 100 | 100 | 10 | 0,17 | 280 | 350  |
| 40806           | SILLA DEMETER    | 108 | 1 | 62  | 85  | 60 | 0,23 | 190 | 219  |
| TOTAL MODULARES |                  |     |   |     |     |    | 0,89 | 994 | 1224 |

COLOUR 120 MATT / FABRIC FLUID 04

|               |                         |     |   |       |       |       |      |     |      |
|---------------|-------------------------|-----|---|-------|-------|-------|------|-----|------|
| 42062         | VANITY DRESSER          | 96  | 1 | 55,12 | 31,5  | 19,69 | 0,49 | 524 | 655  |
| 45383         | MIRROR WITH LIGHT BULBS | 99  | 1 | 39,37 | 39,37 | 3,94  | 0,17 | 280 | 350  |
| 40806         | DEMETER CHAIR           | 108 | 1 | 24,41 | 33,46 | 23,62 | 0,23 | 190 | 219  |
| TOTAL MODULES |                         |     |   |       |       |       | 0,89 | 994 | 1224 |

**NB.08** COLOR 120 MATE / PATAS 149 MATE / TAPIZADO PARIS SALMON



|                 |          |     |   |     |    |    |      |     |     |
|-----------------|----------|-----|---|-----|----|----|------|-----|-----|
| 42016           | TOCADOR  | 91  | 1 | 130 | 80 | 50 | 0,27 | 380 | 456 |
| 45354           | BANQUETA | 107 | 1 | 50  | 50 | 50 | 0,17 | 104 | 125 |
| TOTAL MODULARES |          |     |   |     |    |    | 0,44 | 484 | 581 |

COLOUR 120 MATT / LEGS 149 MATT / FABRIC PARIS SALMON

|               |                |     |   |       |       |       |      |     |     |
|---------------|----------------|-----|---|-------|-------|-------|------|-----|-----|
| 42016         | VANITY DRESSER | 91  | 1 | 51,18 | 31,5  | 19,69 | 0,27 | 380 | 456 |
| 45354         | STOOL          | 107 | 1 | 19,69 | 19,69 | 19,69 | 0,17 | 104 | 125 |
| TOTAL MODULES |                |     |   |       |       |       | 0,44 | 484 | 581 |

|  | PAG / PAGE | UD / QTY | ANCHO /   | ALTO /     | FONDO /   | VOL /   | MATE / MATT | ALTO BRILLO / HIGH GLOSS |
|--|------------|----------|-----------|------------|-----------|---------|-------------|--------------------------|
|  |            |          | WIDTH (W) | HEIGHT (H) | DEPTH (D) | VOLUM E |             |                          |
|  |            |          | cm / inch |            |           | m3      |             |                          |

NB.09



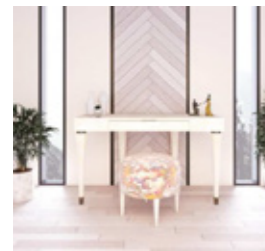
COLOR 120 MATE / TAPA Y SEPARADORES 040 METALIZADO / TAPIZADO STAR NUBE + STAR PLATA

|                 |          |     |   |     |    |    |      |     |     |
|-----------------|----------|-----|---|-----|----|----|------|-----|-----|
| 42008           | TOCADOR  | 90  | 1 | 108 | 80 | 50 | 0,32 | 415 | 519 |
| 45358           | BANQUETA | 104 | 1 | 50  | 65 | 50 | 0,21 | 140 | 140 |
| TOTAL MODULARES |          |     |   |     |    |    | 0,53 | 555 | 659 |

COLOUR 120 MATT / TOP & DIVISORS 040 METALIC / FABRIC STAR NUBE + STAR PLATA

|               |                |     |   |       |       |       |      |     |     |
|---------------|----------------|-----|---|-------|-------|-------|------|-----|-----|
| 42008         | VANITY DRESSER | 90  | 1 | 42,52 | 31,5  | 19,69 | 0,32 | 415 | 519 |
| 45358         | STOOL          | 104 | 1 | 19,69 | 25,59 | 19,69 | 0,21 | 140 | 140 |
| TOTAL MODULES |                |     |   |       |       |       | 0,53 | 555 | 659 |

NB.10



COLOR 121 MATE / DETALLES Y DIVISOTRES 041 METALIZADO / TAPIZADO BOUQUET 02

|                 |          |     |   |     |    |    |      |     |     |
|-----------------|----------|-----|---|-----|----|----|------|-----|-----|
| 42022           | TOCADOR  | 91  | 1 | 130 | 80 | 50 | 0,24 | 502 | 628 |
| 45357           | BANQUETA | 108 | 1 | 50  | 50 | 50 | 0,17 | 104 | 125 |
| TOTAL MODULARES |          |     |   |     |    |    | 0,41 | 606 | 753 |

COLOUR 121 MATT / DETAILS & DIVISORS 041 METALIC / FABRIC BOUQUET 02

|               |                |     |   |       |       |       |      |     |     |
|---------------|----------------|-----|---|-------|-------|-------|------|-----|-----|
| 42022         | VANITY DRESSER | 91  | 1 | 51,18 | 31,5  | 19,69 | 0,24 | 502 | 628 |
| 45357         | STOOL          | 108 | 1 | 19,69 | 19,69 | 19,69 | 0,17 | 104 | 125 |
| TOTAL MODULES |                |     |   |       |       |       | 0,41 | 606 | 753 |

NB.11



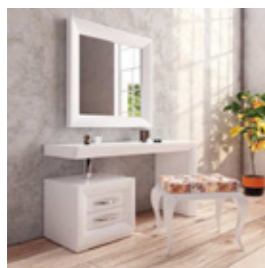
COLOR 184 MATE / DIVISORES E INTERIOR CAJONES 162 MATE / TAPIZADO VANITY MARFIL

|                 |               |     |   |     |    |    |      |     |     |
|-----------------|---------------|-----|---|-----|----|----|------|-----|-----|
| 42042           | TOCADOR       | 94  | 1 | 159 | 80 | 50 | 0,38 | 494 | 618 |
| 45353           | BANQUETA EN U | 108 | 1 | 75  | 50 | 50 | 0,24 | 174 | 174 |
| TOTAL MODULARES |               |     |   |     |    |    | 0,62 | 668 | 792 |

COLOUR 184 MATT / DIVISORS & INTERIOR DRAWERS 162 MATT / FABRIC VANITY MARFIL

|               |                |     |   |       |       |       |      |     |     |
|---------------|----------------|-----|---|-------|-------|-------|------|-----|-----|
| 42042         | VANITY DRESSER | 94  | 1 | 62,6  | 31,5  | 19,69 | 0,38 | 494 | 618 |
| 45353         | STOOL          | 108 | 1 | 29,53 | 19,69 | 19,69 | 0,24 | 174 | 174 |
| TOTAL MODULES |                |     |   |       |       |       | 0,62 | 668 | 792 |

NB.12



COLOR 120 MATE / TAPIZADO BOUQUET 02

|                 |                |     |   |     |     |    |      |     |      |
|-----------------|----------------|-----|---|-----|-----|----|------|-----|------|
| 42062           | TOCADOR        | 96  | 1 | 140 | 80  | 50 | 0,49 | 524 | 655  |
| 45624           | ESPEJO SERIK 2 | 104 | 1 | 100 | 100 | 5  | 0,11 | 116 | 145  |
| 45351           | BANQUETA       | 104 | 1 | 60  | 50  | 50 | 0,2  | 174 | 210  |
| TOTAL MODULARES |                |     |   |     |     |    | 0,8  | 814 | 1010 |

COLOUR 120 MATT / FABRIC BOUQUET 02

|               |                |     |   |       |       |       |      |     |      |
|---------------|----------------|-----|---|-------|-------|-------|------|-----|------|
| 42062         | VANITY DRESSER | 96  | 1 | 55,12 | 31,5  | 19,69 | 0,49 | 524 | 655  |
| 45624         | MIRROR SERIK 2 | 104 | 1 | 39,37 | 39,37 | 1,97  | 0,11 | 116 | 145  |
| 45351         | STOOL          | 104 | 1 | 23,62 | 19,69 | 19,69 | 0,2  | 174 | 210  |
| TOTAL MODULES |                |     |   |       |       |       | 0,8  | 814 | 1010 |

|  | PAG / PAGE | UD / QTY | ANCHO /   | ALTO /     | FONDO /   | VOL /   | MATE / MATT | ALTO BRILLO / HIGH GLOSS |
|--|------------|----------|-----------|------------|-----------|---------|-------------|--------------------------|
|  |            |          | WIDTH (W) | HEIGHT (H) | DEPTH (D) | VOLUM E |             |                          |
|  |            |          | cm / inch |            |           | m3      |             |                          |

NB.13



COLOR 150 MATE / SEPARADORES E INTERIORES DE CAJONES 046 METALIZADO / TAPIZADO VERSATIL 60

|                 |          |     |   |     |    |    |      |     |     |
|-----------------|----------|-----|---|-----|----|----|------|-----|-----|
| 42036           | TOCADOR  | 93  | 1 | 140 | 80 | 50 | 0,35 | 550 | 688 |
| 42090           | BANQUETA | 105 | 1 | 50  | 50 | 50 | 0,17 | 143 |     |
| TOTAL MODULARES |          |     |   |     |    |    | 0,52 | 693 | 831 |

COLOUR 150 MATT / DIVISORS & INTERIOR DRAWERS 046 METALIC / FABRIC VERSATIL 60

|               |                |     |   |       |       |       |      |     |     |
|---------------|----------------|-----|---|-------|-------|-------|------|-----|-----|
| 42036         | VANITY DRESSER | 93  | 1 | 55,12 | 31,5  | 19,69 | 0,35 | 550 | 688 |
| 42090         | STOOL          | 105 | 1 | 19,69 | 19,69 | 19,69 | 0,17 | 143 |     |
| TOTAL MODULES |                |     |   |       |       |       | 0,52 | 693 | 831 |

NB.14



COLOR 162 MATE / MODULO CENTRAL 041 METALIZADO / TAPIZADO VERSATIL 51

|                 |          |     |   |     |    |    |      |     |      |
|-----------------|----------|-----|---|-----|----|----|------|-----|------|
| 42004           | TOCADOR  | 89  | 1 | 155 | 80 | 67 | 1,06 | 686 | 858  |
| 45355           | BANQUETA | 108 | 1 | 63  | 70 | 80 | 0,43 | 170 | 170  |
| TOTAL MODULARES |          |     |   |     |    |    | 1,49 | 856 | 1028 |

COLOUR 162 MATT / CENTRAL MODULE 041 METALIC / FABRIC VERSATIL 51

|               |                |     |   |       |       |       |      |     |      |
|---------------|----------------|-----|---|-------|-------|-------|------|-----|------|
| 42004         | VANITY DRESSER | 89  | 1 | 61,02 | 31,5  | 26,38 | 1,06 | 686 | 858  |
| 45355         | STOOL          | 108 | 1 | 24,8  | 27,56 | 31,5  | 0,43 | 170 | 170  |
| TOTAL MODULES |                |     |   |       |       |       | 1,49 | 856 | 1028 |

NB.15



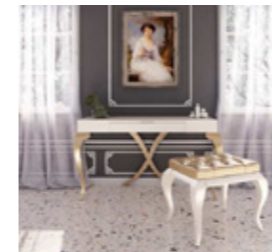
COLOR 120 MATE / TIRADORES 041 METALIZADO / TAPIZADO WARP GOLD

|                 |                        |     |   |     |     |    |      |     |     |
|-----------------|------------------------|-----|---|-----|-----|----|------|-----|-----|
| 42078           | TOCADOR                | 99  | 1 | 140 | 80  | 50 | 0,49 | 578 | 723 |
| 42082           | ESPEJO KORA 100x100 cm | 102 | 1 | 100 | 100 | 5  | 0,11 | 116 | 145 |
| 45361           | POUF                   | 106 | 1 | 50  | 50  | 50 | 0,17 | 95  | 95  |
| TOTAL MODULARES |                        |     |   |     |     |    | 0,77 | 789 | 963 |

COLOUR 120 MATT / HANDLES 041 METALIC / FABRIC WARP GOLD

|               |                |     |   |       |       |       |      |     |     |
|---------------|----------------|-----|---|-------|-------|-------|------|-----|-----|
| 42078         | VANITY DRESSER | 99  | 1 | 55,12 | 31,5  | 19,69 | 0,49 | 578 | 723 |
| 42082         | KORA MIRROR    | 102 | 1 | 39,37 | 39,37 | 1,97  | 0,11 | 116 | 145 |
| 45361         | POUF           | 106 | 1 | 19,69 | 19,69 | 19,69 | 0,17 | 95  | 95  |
| TOTAL MODULES |                |     |   |       |       |       | 0,77 | 789 | 963 |

NB.16



COLOR 162 MATE / PATAS Y SEPARADORES 160 MATE / TAPIZADO STAR ORO

|                 |          |     |   |     |    |    |      |     |     |
|-----------------|----------|-----|---|-----|----|----|------|-----|-----|
| 42024           | TOCADOR  | 92  | 1 | 130 | 80 | 50 | 0,63 | 590 | 738 |
| 45351           | BANQUETA | 104 | 1 | 60  | 50 | 50 | 0,2  | 174 | 210 |
| TOTAL MODULARES |          |     |   |     |    |    | 0,83 | 764 | 948 |

COLOUR 162 MATT / LEGS & DIVISORS 160 MATT / FABRIC STAR ORO

|               |                |     |   |       |       |       |      |     |     |
|---------------|----------------|-----|---|-------|-------|-------|------|-----|-----|
| 42024         | VANITY DRESSER | 92  | 1 | 51,18 | 31,5  | 19,69 | 0,63 | 590 | 738 |
| 45351         | STOOL          | 104 | 1 | 23,62 | 19,69 | 19,69 | 0,2  | 174 | 210 |
| TOTAL MODULES |                |     |   |       |       |       | 0,83 | 764 | 948 |

|  | PAG / PAGE | UD / QTY | ANCHO / WIDTH (W) | ALTO / HEIGHT (H) | FONDO / DEPTH (D) | VOL / VOLUM E | MATE / MATT | ALTO BRILLO / HIGH GLOSS |
|--|------------|----------|-------------------|-------------------|-------------------|---------------|-------------|--------------------------|
|  |            |          | cm / inch         |                   |                   | m3            |             |                          |

NB.17



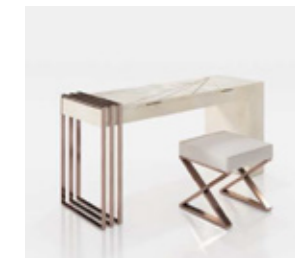
COLOR 143 MATE / TIRADORES, DIVISORES Y PATAS 041 METALIZADO / TAPIZADO SAMUI 01

|                 |                  |     |   |     |     |    |      |     |      |
|-----------------|------------------|-----|---|-----|-----|----|------|-----|------|
| 42054           | TOCADOR          | 95  | 1 | 140 | 80  | 50 | 0,49 | 515 | 644  |
| 45383           | ESPEJO BOMBILLAS | 99  | 1 | 100 | 100 | 10 | 0,17 | 280 | 350  |
| 42092           | BANQUETA         | 105 | 1 | 50  | 50  | 50 | 0,17 | 143 |      |
| TOTAL MODULARES |                  |     |   |     |     |    | 0,83 | 938 | 1137 |

COLOUR 143 MATT / HANDLES, DIVISORS & LEGS 041 METALIC / FABRIC SAMUI 01

|               |                         |     |   |       |       |       |      |     |      |
|---------------|-------------------------|-----|---|-------|-------|-------|------|-----|------|
| 42054         | VANITY DRESSER          | 95  | 1 | 55,12 | 31,5  | 19,69 | 0,49 | 515 | 644  |
| 45383         | MIRROR WITH LIGHT BULBS | 99  | 1 | 39,37 | 39,37 | 3,94  | 0,17 | 280 | 350  |
| 42092         | STOOL                   | 105 | 1 | 19,69 | 19,69 | 19,69 | 0,17 | 143 |      |
| TOTAL MODULES |                         |     |   |       |       |       | 0,83 | 938 | 1137 |

NB.18



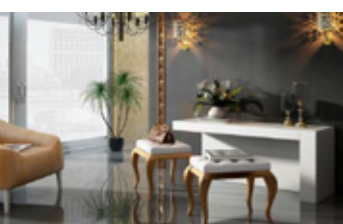
COLOR 121 MATE / DIVISORES, INTERIORES CAJONES Y PATAS 043 METALIZADO / TAPIZADO WARP WHITE

|                 |          |     |   |     |    |    |      |     |     |
|-----------------|----------|-----|---|-----|----|----|------|-----|-----|
| 42040           | TOCADOR  | 94  | 1 | 155 | 80 | 50 | 0,35 | 537 | 671 |
| 42090           | BANQUETA | 105 | 1 | 50  | 50 | 50 | 0,17 | 143 |     |
| TOTAL MODULARES |          |     |   |     |    |    | 0,52 | 680 | 814 |

COLOUR 121 MATT / DIVISORS, INTERIOR DRAWERS & LEGS 043 METALIC / FABRIC WARP WHITE

|               |                |     |   |       |       |       |      |     |     |
|---------------|----------------|-----|---|-------|-------|-------|------|-----|-----|
| 42040         | VANITY DRESSER | 94  | 1 | 61,02 | 31,5  | 19,69 | 0,35 | 537 | 671 |
| 42090         | STOOL          | 105 | 1 | 19,69 | 19,69 | 19,69 | 0,17 | 143 |     |
| TOTAL MODULES |                |     |   |       |       |       | 0,52 | 680 | 814 |

NB.19



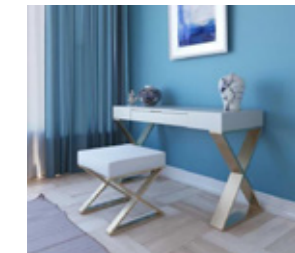
COLOR 120 MATE / DIVISORES Y PATAS 160 MATE / TAPIZADO VANITY BLANCO

|                 |          |     |   |     |    |    |      |     |      |
|-----------------|----------|-----|---|-----|----|----|------|-----|------|
| 42046           | TOCADOR  | 94  | 1 | 140 | 80 | 50 | 0,34 | 471 | 589  |
| 45351           | BANQUETA | 104 | 2 | 60  | 50 | 50 | 0,4  | 348 | 420  |
| TOTAL MODULARES |          |     |   |     |    |    | 0,74 | 819 | 1009 |

COLOUR 120 MATT / DIVISORS & LEGS 160 MATT / FABRIC VANITY BLANCO

|               |                |     |   |       |       |       |      |     |      |
|---------------|----------------|-----|---|-------|-------|-------|------|-----|------|
| 42046         | VANITY DRESSER | 94  | 1 | 55,12 | 31,5  | 19,69 | 0,34 | 471 | 589  |
| 45351         | STOOL          | 104 | 2 | 23,62 | 19,69 | 19,69 | 0,4  | 348 | 420  |
| TOTAL MODULES |                |     |   |       |       |       | 0,74 | 819 | 1009 |

NB.20



COLOR 120 MATE / PATAS Y SEPARADORES 041 METALIZADO / TAPIZADO VANITY BLANCO

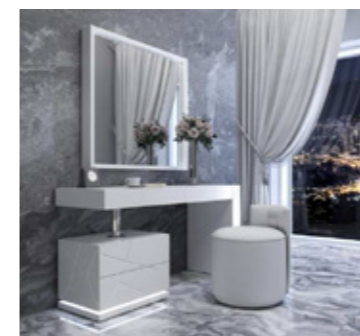
|                 |          |     |   |     |    |    |      |     |     |
|-----------------|----------|-----|---|-----|----|----|------|-----|-----|
| 42018           | TOCADOR  | 91  | 1 | 130 | 80 | 50 | 0,27 | 502 | 602 |
| 42090           | BANQUETA | 105 | 1 | 50  | 50 | 50 | 0,17 | 143 |     |
| TOTAL MODULARES |          |     |   |     |    |    | 0,44 | 645 | 745 |

COLOUR 120 MATT / LEGS & DIVISORS 041 METALIC / FABRIC VANITY BLANCO

|               |                |     |   |       |       |       |      |     |     |
|---------------|----------------|-----|---|-------|-------|-------|------|-----|-----|
| 42018         | VANITY DRESSER | 91  | 1 | 51,18 | 31,5  | 19,69 | 0,27 | 502 | 602 |
| 42090         | STOOL          | 105 | 1 | 19,69 | 19,69 | 19,69 | 0,17 | 143 |     |
| TOTAL MODULES |                |     |   |       |       |       | 0,44 | 645 | 745 |

|  | PAG / PAGE | UD / QTY | ANCHO / WIDTH (W) | ALTO / HEIGHT (H) | FONDO / DEPTH (D) | VOL / VOLUM E | MATE / MATT | ALTO BRILLO / HIGH GLOSS |
|--|------------|----------|-------------------|-------------------|-------------------|---------------|-------------|--------------------------|
|  |            |          | cm / inch         |                   |                   | m3            |             |                          |

NB.21



COLOR 120 MATE / TAPIZADO VANITY BLANCO Y STAR PLATA

|                 |                            |     |   |     |     |    |      |     |      |
|-----------------|----------------------------|-----|---|-----|-----|----|------|-----|------|
| 42066           | TOCADOR                    | 97  | 1 | 140 | 80  | 50 | 0,49 | 567 | 709  |
|                 | *RECARGO LUZ LED EN ZÓCALO |     | 1 |     |     |    |      | 55  | 55   |
| 57710           | ESPEJO 100x100 cm          | 99  | 1 | 100 | 100 | 5  | 0,11 | 113 | 141  |
|                 | *RECARGO LUZ LED EN ESPEJO |     | 1 |     |     |    |      | 84  | 84   |
| 45358           | BANQUETA                   | 104 | 1 | 50  | 65  | 50 | 0,21 | 140 | 140  |
| TOTAL MODULARES |                            |     |   |     |     |    | 0,81 | 959 | 1129 |

COLOUR 120 MATT / FABRIC VANITY BLANCO & STAR PLATA

|               |                               |     |   |       |       |       |      |     |      |
|---------------|-------------------------------|-----|---|-------|-------|-------|------|-----|------|
| 42066         | VANITY DRESSER                | 97  | 1 | 55,12 | 31,5  | 19,69 | 0,49 | 567 | 709  |
|               | INCREMENT LED LIGHT IN BASE   |     | 1 |       |       |       |      | 55  | 55   |
| 57710         | MIRROR 100x100 cm             | 99  | 1 | 39,37 | 39,37 | 1,97  | 0,11 | 113 | 141  |
|               | INCREMENT LED LIGHT IN MIRROR |     | 1 |       |       |       |      | 84  | 84   |
| 45358         | STOOL                         | 104 | 1 | 19,69 | 25,59 | 19,69 | 0,21 | 140 | 140  |
| TOTAL MODULES |                               |     |   |       |       |       | 0,81 | 959 | 1129 |

NB.22



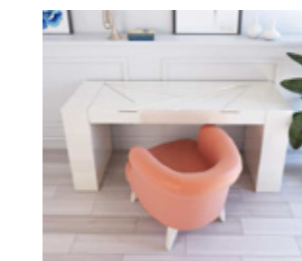
COLOR 152 MATE / TIRADORES, SEPARADORES Y PATAS 004 LAMINADO / TAPIZADO STAR CREMA

|                 |   |     |   |     |     |    |      |      |      |
|-----------------|---|-----|---|-----|-----|----|------|------|------|
| 42060           | TOCADOR                                   | 96  | 1 | 140 | 80  | 50 | 0,51 | 524  | 655  |
|                 | LAMINADO EN PATAS TIRADORES Y SEPARADORES |     | 1 |     |     |    |      | 152  | 152  |
| 45383           | ESPEJO BOMBILLAS                          | 99  | 1 | 100 | 100 | 10 | 0,17 | 280  | 350  |
| 45351           | BANQUETA                                  | 104 | 1 | 60  | 50  | 50 | 0,2  | 174  | 210  |
|                 | LAMINADO EN PATAS                         |     | 1 |     |     |    |      | 166  | 130  |
| TOTAL MODULARES |   |     |   |     |     |    | 0,88 | 1296 | 1497 |

COLOUR 152 MATT / HANDLES, DIVISORS & LEGS 004 LAMINATED / FABRIC STAR CREMA

|               |   |     |   |       |       |       |      |      |      |
|---------------|---|-----|---|-------|-------|-------|------|------|------|
| 42060         | VANITY DRESSER                          | 96  | 1 | 55,12 | 31,5  | 19,69 | 0,51 | 524  | 655  |
|               | LEAF FINISH IN LEGS, HANDLES & DIVISORS |     | 1 |       |       |       |      | 152  | 152  |
| 45383         | MIRROR WITH LIGHT BULBS                 | 99  | 1 | 39,37 | 39,37 | 3,94  | 0,17 | 280  | 350  |
| 45351         | STOOL                                   | 104 | 1 | 23,62 | 19,69 | 19,69 | 0,2  | 174  | 210  |
|               | LEAF FINISH IN LEGS                     |     | 1 |       |       |       |      | 166  | 130  |
| TOTAL MODULES |   |     |   |       |       |       | 0,88 | 1296 | 1497 |

NB.23



COLOR 162 MATE / SEPARADORES E INTERIORES DE CAJÓN 184 MATE / TAPIZADO VERSATIL 34

|                 |         |     |   |     |    |    |      |     |      |
|-----------------|---------|-----|---|-----|----|----|------|-----|------|
| 42044           | TOCADOR | 94  | 1 | 159 | 80 | 50 | 0,38 | 559 | 699  |
| 45359           | SILLÓN  | 107 | 1 | 70  | 66 | 80 | 0,45 | 270 | 307  |
| TOTAL MODULARES |         |     |   |     |    |    | 0,83 | 829 | 1006 |

COLOUR 162 MATT / DIVISORS & INTERIOR DRAWERS 184 MATT / FABRIC VERSATIL 34

|               |                |     |   |       |       |       |      |     |      |
|---------------|----------------|-----|---|-------|-------|-------|------|-----|------|
| 42044         | VANITY DRESSER | 94  | 1 | 62,6  | 31,5  | 19,69 | 0,38 | 559 | 699  |
| 45359         | ARMCHAIR       | 107 | 1 | 27,56 | 25,98 | 31,5  | 0,45 | 270 | 307  |
| TOTAL MODULES |                |     |   |       |       |       | 0,83 | 829 | 1006 |

|  | PAG / PAGE | UD / QTY | ANCHO / WIDTH (W) | ALTO / HEIGHT (H) | FONDO / DEPTH (D) | VOL / VOLUM E | MATE / MATT | ALTO BRILLO / HIGH GLOSS |
|--|------------|----------|-------------------|-------------------|-------------------|---------------|-------------|--------------------------|
|  |            |          |                   | cm / inch         |                   | m3            |             |                          |

NB.24



COLOR 120 MATE / PATAS, SEPARADORES E INTERIORES DE CAJÓN 151 MATE / TAPIZADO PARIS CREAM

|                 |          |     |   |     |    |    |      |     |     |
|-----------------|----------|-----|---|-----|----|----|------|-----|-----|
| 42032           | TOCADOR  | 93  | 1 | 140 | 80 | 50 | 0,35 | 550 | 688 |
| 42091           | BANQUETA | 105 | 1 | 50  | 50 | 50 | 0,17 | 143 |     |
| TOTAL MODULARES |          |     |   |     |    |    | 0,52 | 693 | 831 |

COLOUR 120 MATT / LEGS, DIVISORS & INTERIOR DRAWERS 151 MATT / FABRIC PARIS CREAM

|               |                |     |   |       |       |       |      |     |     |
|---------------|----------------|-----|---|-------|-------|-------|------|-----|-----|
| 42032         | VANITY DRESSER | 93  | 1 | 55,12 | 31,5  | 19,69 | 0,35 | 550 | 688 |
| 42091         | STOOL          | 105 | 1 | 19,69 | 19,69 | 19,69 | 0,17 | 143 |     |
| TOTAL MODULES |                |     |   |       |       |       | 0,52 | 693 | 831 |

NB.25



COLOR 120 MATE / PATAS Y SEPARADORES 040 METALIZADO / TAPIZADO PARIS PETROL

|                 |         |     |   |     |    |    |      |     |     |
|-----------------|---------|-----|---|-----|----|----|------|-----|-----|
| 42006           | TOCADOR | 89  | 1 | 104 | 80 | 50 | 0,32 | 454 | 568 |
| 45361           | PUFF    | 106 | 1 | 50  | 50 | 50 | 0,17 | 95  | 95  |
| TOTAL MODULARES |         |     |   |     |    |    | 0,49 | 549 | 663 |

COLOUR 120 MATT / LEGS & DIVISORS 040 METALIC / FABRIC PARIS PETROL

|               |                |     |   |       |       |       |      |     |     |
|---------------|----------------|-----|---|-------|-------|-------|------|-----|-----|
| 42006         | VANITY DRESSER | 89  | 1 | 40,94 | 31,5  | 19,69 | 0,32 | 454 | 568 |
| 45361         | POUF           | 106 | 1 | 19,69 | 19,69 | 19,69 | 0,17 | 95  | 95  |
| TOTAL MODULES |                |     |   |       |       |       | 0,49 | 549 | 663 |

NB.26



COLOR 162 MATE / DIVISORES Y TRASERA TIRADOR 140 MATE / TAPIZADO PARIS DARK BLUE

|                 |                      |     |   |     |     |    |      |     |      |
|-----------------|----------------------|-----|---|-----|-----|----|------|-----|------|
| 42058           | TOCADOR              | 96  | 1 | 140 | 80  | 50 | 0,49 | 524 | 655  |
| 70087           | ESPEJO REDONDO CURVA | 101 | 1 | 100 | 100 | 4  | 0,1  | 217 | 268  |
| 45361           | PUFF                 | 106 | 1 | 50  | 50  | 50 | 0,17 | 95  | 95   |
| TOTAL MODULARES |                      |     |   |     |     |    | 0,76 | 836 | 1018 |

COLOUR 162 MATT / DIVISORS & BACK HANDLE 140 MATT / FABRIC PARIS DARK BLUE

|               |                |     |   |       |       |       |      |     |      |
|---------------|----------------|-----|---|-------|-------|-------|------|-----|------|
| 42058         | VANITY DRESSER | 96  | 1 | 55,12 | 31,5  | 19,69 | 0,49 | 524 | 655  |
| 70087         | MIRROR         | 101 | 1 | 39,37 | 39,37 | 1,57  | 0,1  | 217 | 268  |
| 45361         | POUF           | 106 | 1 | 19,69 | 19,69 | 19,69 | 0,17 | 95  | 95   |
| TOTAL MODULES |                |     |   |       |       |       | 0,76 | 836 | 1018 |

NB.27



COLOR 138 MATE / PATAS, SEPARADORES E INTERIORES DE CAJONES 147 MATE / TAPIZADO PARIS MOUSE

|                 |          |     |   |     |    |    |      |     |     |
|-----------------|----------|-----|---|-----|----|----|------|-----|-----|
| 42030           | TOCADOR  | 92  | 1 | 140 | 80 | 50 | 0,35 | 485 | 606 |
| 42090           | BANQUETA | 105 | 1 | 50  | 50 | 50 | 0,17 | 143 |     |
| TOTAL MODULARES |          |     |   |     |    |    | 0,52 | 628 | 749 |

COLOUR 138 MATT / LEGS, DIVISORS & INTERIOR DRAWERS 147 MATT / FABRIC PARIS MOUSE

|               |                |     |   |       |       |       |      |     |     |
|---------------|----------------|-----|---|-------|-------|-------|------|-----|-----|
| 42030         | VANITY DRESSER | 92  | 1 | 55,12 | 31,5  | 19,69 | 0,35 | 485 | 606 |
| 42090         | STOOL          | 105 | 1 | 19,69 | 19,69 | 19,69 | 0,17 | 143 |     |
| TOTAL MODULES |                |     |   |       |       |       | 0,52 | 628 | 749 |

|  | PAG / PAGE | UD / QTY | ANCHO / WIDTH (W) | ALTO / HEIGHT (H) | FONDO / DEPTH (D) | VOL / VOLUM E | MATE / MATT | ALTO BRILLO / HIGH GLOSS |
|--|------------|----------|-------------------|-------------------|-------------------|---------------|-------------|--------------------------|
|  |            |          |                   | cm / inch         |                   | m3            |             |                          |

NB.28



COLOR 120 MATE / DELANtera DE CAJÓN Y DIVISOTRES 142 MATE / TAPIZADO WARP PETROL BLUE

|                 |                              |     |   |     |     |    |      |     |     |
|-----------------|------------------------------|-----|---|-----|-----|----|------|-----|-----|
| 42064           | TOCADOR                      | 97  | 1 | 140 | 80  | 50 | 0,49 | 524 | 655 |
| 45364           | BANQUETA                     | 106 | 1 | 50  | 50  | 50 | 0,17 | 95  | 95  |
| 48873           | ESPEJO MARCO ENZO 100x100 cm | 103 | 1 | 100 | 100 | 10 | 0,17 | 101 | 121 |
| TOTAL MODULARES |                              |     |   |     |     |    | 0,83 | 720 | 871 |

COLOUR 120 MATT / FRONTS DRAWERS & DIVISORS 142 MATT / FABRIC WARP PETROL BLUE

|               |                              |     |   |       |       |       |      |     |     |
|---------------|------------------------------|-----|---|-------|-------|-------|------|-----|-----|
| 42064         | VANITY DRESSER               | 97  | 1 | 55,12 | 31,5  | 19,69 | 0,49 | 524 | 655 |
| 45364         | STOOL                        | 106 | 1 | 19,69 | 19,69 | 19,69 | 0,17 | 95  | 95  |
| 48873         | MIRROR ENZO FRAME 100x100 CM | 103 | 1 | 39,37 | 39,37 | 3,94  | 0,17 | 101 | 121 |
| TOTAL MODULES |                              |     |   |       |       |       | 0,83 | 720 | 871 |

NB.29



COLOR 147 MATE / PATAS, DIVISORES E INTERIORES DE CAJONES 151 MATE / TAPIZADO BENGAL NEGRO

|                 |          |     |   |     |    |    |      |     |     |
|-----------------|----------|-----|---|-----|----|----|------|-----|-----|
| 42038           | TOCADOR  | 93  | 1 | 155 | 80 | 50 | 0,35 | 471 | 589 |
| 45364           | BANQUETA | 106 | 1 | 50  | 50 | 50 | 0,17 | 95  | 95  |
| TOTAL MODULARES |          |     |   |     |    |    | 0,52 | 566 | 684 |

COLOUR 147 MATT / LEGS, DIVISORS & INTERIOR DRAWER 151 MATT / FABRIC BENGAL NEGRO

|               |                |     |   |       |       |       |      |     |     |
|---------------|----------------|-----|---|-------|-------|-------|------|-----|-----|
| 42038         | VANITY DRESSER | 93  | 1 | 61,02 | 31,5  | 19,69 | 0,35 | 471 | 589 |
| 45364         | STOOL          | 106 | 1 | 19,69 | 19,69 | 19,69 | 0,17 | 95  | 95  |
| TOTAL MODULES |                |     |   |       |       |       | 0,52 | 566 | 684 |

NB.30



COLOR 162 MATE / SEPARADORES Y PATAS 142 MATE / TAPIZADO PARIS DARK BLUE

|                 |                                    |     |   |     |     |    |      |     |      |
|-----------------|------------------------------------|-----|---|-----|-----|----|------|-----|------|
| 42070           | TOCADOR                            | 98  | 1 | 140 | 80  | 50 | 0,49 | 611 | 764  |
| 58520           | ESPEJO METALICO PARTIDO 100x100 cm | 100 | 1 | 100 | 100 | 10 | 0,17 | 170 |      |
| 45354           | BANQUETA                           | 107 | 1 | 50  | 50  | 50 | 0,17 | 104 | 125  |
| TOTAL MODULARES |                                    |     |   |     |     |    | 0,83 | 885 | 1059 |

COLOUR 162 MATT / DIVISORS & LEGS 142 MATT / FABRIC PARIS DARK BLUE

|               |                      |     |   |       |       |       |      |     |      |
|---------------|----------------------|-----|---|-------|-------|-------|------|-----|------|
| 42070         | VANITY DRESSER       | 98  | 1 | 55,12 | 31,5  | 19,69 | 0,49 | 611 | 764  |
| 58520         | METAL MIRROR DIVIDED | 100 | 1 | 39,37 | 39,37 | 3,94  | 0,17 | 170 |      |
| 45354         | STOOL                | 107 | 1 | 19,69 | 19,69 | 19,69 | 0,17 | 104 | 125  |
| TOTAL MODULES |                      |     |   |       |       |       | 0,83 | 885 | 1059 |

NB.31



COLOR 120 MATE / PATAS Y SEPARADORES 041 METALIZADO / TAPIZADO WARP WHITE

|                 |          |     |   |     |    |    |      |     |     |
|-----------------|----------|-----|---|-----|----|----|------|-----|-----|
| 42012           | TOCADOR  | 90  | 1 | 130 | 80 | 50 | 0,27 | 502 | 602 |
| 42091           | BANQUETA | 105 | 1 | 50  | 50 | 50 | 0,17 | 143 |     |
| TOTAL MODULARES |          |     |   |     |    |    | 0,44 | 645 | 745 |

COLOUR 120 MATT / LEGS & DIVISORS 041 METALIC / FABRIC WARP WHITE

|               |                |     |   |       |       |       |      |     |     |
|---------------|----------------|-----|---|-------|-------|-------|------|-----|-----|
| 42012         | VANITY DRESSER | 90  | 1 | 51,18 | 31,5  | 19,69 | 0,27 | 502 | 602 |
| 42091         | STOOL          | 105 | 1 | 19,69 | 19,69 | 19,69 | 0,17 | 143 |     |
| TOTAL MODULES |                |     |   |       |       |       | 0,44 | 645 | 745 |

|  | PAG / PAGE | UD / QTY | ANCHO /   | ALTO /     | FONDO /   | VOL /   | MATE / MATT | ALTO BRILLO / HIGH GLOSS |
|--|------------|----------|-----------|------------|-----------|---------|-------------|--------------------------|
|  |            |          | WIDTH (W) | HEIGHT (H) | DEPTH (D) | VOLUM E |             |                          |
|  |            |          | cm / inch |            |           | m3      |             |                          |

**NB.32**



**COLOR 120 MATE / TIRADOR 040 METALLIC / TAPIZADO FLUID 06**

|                        |                   |     |   |     |     |    |             |            |            |
|------------------------|-------------------|-----|---|-----|-----|----|-------------|------------|------------|
| 42076                  | TOCADOR           | 98  | 1 | 140 | 80  | 50 | 0,49        | 578        | 723        |
| 57710                  | ESPEJO 100x100 cm | 99  | 1 | 100 | 100 | 5  | 0,11        | 113        | 141        |
| 45364                  | BANQUETA          | 106 | 1 | 50  | 50  | 50 | 0,17        | 95         | 95         |
| <b>TOTAL MODULARES</b> |                   |     |   |     |     |    | <b>0,77</b> | <b>786</b> | <b>959</b> |

**COLOUR 120 MATT / HANDLE 040 METALIC / FABRIC FLUID 06**

|                      |                   |     |   |       |       |       |             |            |            |
|----------------------|-------------------|-----|---|-------|-------|-------|-------------|------------|------------|
| 42076                | VANITY DRESSER    | 98  | 1 | 55,12 | 31,5  | 19,69 | 0,49        | 578        | 723        |
| 57710                | MIRROR 100x100 cm | 99  | 1 | 39,37 | 39,37 | 1,97  | 0,11        | 113        | 141        |
| 45364                | STOOL             | 106 | 1 | 19,69 | 19,69 | 19,69 | 0,17        | 95         | 95         |
| <b>TOTAL MODULES</b> |                   |     |   |       |       |       | <b>0,77</b> | <b>786</b> | <b>959</b> |

**NB.33**



**COLOR 120 MATE / TIRADORES 041 METALIZADO / TAPIZADO VICTORIA GOLD**

|                        |                   |     |   |     |     |    |             |            |            |
|------------------------|-------------------|-----|---|-----|-----|----|-------------|------------|------------|
| 42072                  | TOCADOR           | 98  | 1 | 140 | 80  | 50 | 0,49        | 578        | 723        |
| 57710                  | ESPEJO 100x100 cm | 99  | 1 | 100 | 100 | 5  | 0,11        | 113        | 141        |
| 45354                  | BANQUETA          | 107 | 1 | 50  | 50  | 50 | 0,17        | 104        | 125        |
| <b>TOTAL MODULARES</b> |                   |     |   |     |     |    | <b>0,77</b> | <b>795</b> | <b>989</b> |

**COLOUR 120 MATT / HANDLES 041 METALIC / FABRIC VICTORIA GOLD**

|                      |                   |     |   |       |       |       |             |            |            |
|----------------------|-------------------|-----|---|-------|-------|-------|-------------|------------|------------|
| 42072                | VANITY DRESSER    | 98  | 1 | 55,12 | 31,5  | 19,69 | 0,49        | 578        | 723        |
| 57710                | MIRROR 100x100 cm | 99  | 1 | 39,37 | 39,37 | 1,97  | 0,11        | 113        | 141        |
| 45354                | STOOL             | 107 | 1 | 19,69 | 19,69 | 19,69 | 0,17        | 104        | 125        |
| <b>TOTAL MODULES</b> |                   |     |   |       |       |       | <b>0,77</b> | <b>795</b> | <b>989</b> |

**NB.34**



**COLOR 141 MATE / TAPIZADO BESORA 09**

|                        |          |     |   |    |    |    |             |            |            |
|------------------------|----------|-----|---|----|----|----|-------------|------------|------------|
| 42002                  | TOCADOR  | 89  | 1 | 93 | 80 | 67 | 0,68        | 467        | 584        |
| 45357                  | BANQUETA | 108 | 1 | 50 | 50 | 50 | 0,17        | 104        | 125        |
| <b>TOTAL MODULARES</b> |          |     |   |    |    |    | <b>0,85</b> | <b>571</b> | <b>709</b> |

**COLOUR 141 MATT / FABRIC BESORA 09**

|                      |                |     |   |       |       |       |             |            |            |
|----------------------|----------------|-----|---|-------|-------|-------|-------------|------------|------------|
| 42002                | VANITY DRESSER | 89  | 1 | 36,61 | 31,5  | 26,38 | 0,68        | 467        | 584        |
| 45357                | STOOL          | 108 | 1 | 19,69 | 19,69 | 19,69 | 0,17        | 104        | 125        |
| <b>TOTAL MODULES</b> |                |     |   |       |       |       | <b>0,85</b> | <b>571</b> | <b>709</b> |

**NB.35**



**COLOR 142 MATE / DIVISORES E INTERIOR CAJÓN 041 METALLIC / TAPIZADO PARIS SAFIRA**

|                        |          |     |   |     |    |    |             |            |            |
|------------------------|----------|-----|---|-----|----|----|-------------|------------|------------|
| 42046                  | TOCADOR  | 94  | 1 | 140 | 80 | 50 | 0,34        | 471        | 589        |
| 45363                  | BANQUETA | 106 | 1 | 70  | 50 | 45 | 0,21        | 110        | 126        |
| <b>TOTAL MODULARES</b> |          |     |   |     |    |    | <b>0,55</b> | <b>581</b> | <b>715</b> |

**COLOUR 142 MATT / DIVISORS & INTERIOR DRAWER 041 METALLIC / FABRIC PARIS SAFIRA**

|                      |                |     |   |       |       |       |             |            |            |
|----------------------|----------------|-----|---|-------|-------|-------|-------------|------------|------------|
| 42046                | VANITY DRESSER | 94  | 1 | 55,12 | 31,5  | 19,69 | 0,34        | 471        | 589        |
| 45363                | STOOL          | 106 | 1 | 27,56 | 19,69 | 17,72 | 0,21        | 110        | 126        |
| <b>TOTAL MODULES</b> |                |     |   |       |       |       | <b>0,55</b> | <b>581</b> | <b>715</b> |

|  | ANCHO /   | ALTO /     | FONDO /   | VOL /  | MATE / MATT | ALTO BRILLO / HIGH GLOSS |
|--|-----------|------------|-----------|--------|-------------|--------------------------|
|  | WIDTH (W) | HEIGHT (H) | DEPTH (D) | VOLUME |             |                          |
|  |           |            | cm / inch |        | m3          |                          |



|              |         |      |    |      |            |            |
|--------------|---------|------|----|------|------------|------------|
| <b>42000</b> | TOCADOR |      |    |      | <b>469</b> | <b>563</b> |
|              | 134     | 82,5 | 52 | 0,69 |            |            |

NO DISPONIBLE EN ACABADOS ROBLE  
PATA METÁLICA: ES POSIBLE PINTARLAS LACADO MATE Y EFECTOS METALIZADOS

|              |                |       |       |      |            |            |
|--------------|----------------|-------|-------|------|------------|------------|
| <b>42000</b> | VANITY DRESSER |       |       |      | <b>469</b> | <b>563</b> |
|              | 52,76          | 32,48 | 20,47 | 0,69 |            |            |

NOT AVAILABLE IN OAK FINISH  
METAL LEG CAN ONLY BE PAINTED IN MATT OR METAL EFFECTS



|              |         |    |    |      |            |            |
|--------------|---------|----|----|------|------------|------------|
| <b>42002</b> | TOCADOR |    |    |      | <b>467</b> | <b>584</b> |
|              | 93      | 80 | 67 | 0,68 |            |            |

NO DISPONIBLE EN ACABADOS ROBLE

|              |                |      |       |      |            |            |
|--------------|----------------|------|-------|------|------------|------------|
| <b>42002</b> | VANITY DRESSER |      |       |      | <b>467</b> | <b>584</b> |
|              | 36,61          | 31,5 | 26,38 | 0,68 |            |            |

NOT AVAILABLE IN OAK FINISH

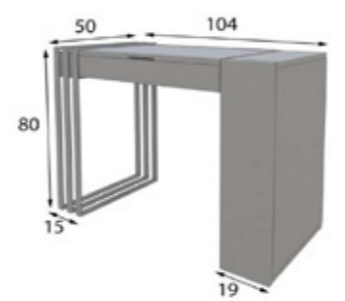


|              |         |    |    |      |            |            |
|--------------|---------|----|----|------|------------|------------|
| <b>42004</b> | TOCADOR |    |    |      | <b>686</b> | <b>858</b> |
|              | 155     | 80 | 67 | 1,06 |            |            |

NO DISPONIBLE EN ACABADOS ROBLE

|              |                |      |       |      |            |            |
|--------------|----------------|------|-------|------|------------|------------|
| <b>42004</b> | VANITY DRESSER |      |       |      | <b>686</b> | <b>858</b> |
|              | 61,02          | 31,5 | 26,38 | 1,06 |            |            |

NOT AVAILABLE IN OAK FINISH



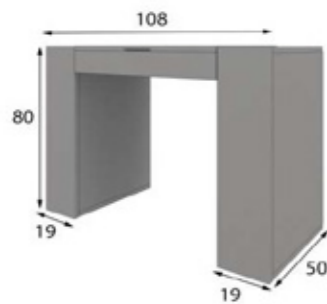
|              |         |    |    |      |            |            |
|--------------|---------|----|----|------|------------|------------|
| <b>42006</b> | TOCADOR |    |    |      | <b>454</b> | <b>568</b> |
|              | 104     | 80 | 50 | 0,32 |            |            |

NO DISPONIBLE EN ACABADOS ROBLE  
PATA METÁLICA: ES POSIBLE PINTARLAS LACADO MATE Y EFECTOS METALIZADOS

|              |                |      |       |      |            |            |
|--------------|----------------|------|-------|------|------------|------------|
| <b>42006</b> | VANITY DRESSER |      |       |      | <b>454</b> | <b>568</b> |
|              | 40,94          | 31,5 | 19,69 | 0,32 |            |            |

NOT AVAILABLE IN OAK FINISH  
METAL LEG CAN ONLY BE PAINTED IN MATT OR METAL EFFECTS

|  | ANCHO /   | ALTO /     | FONDO /   | VOL /  | MATE / MATT | ALTO BRILLO / |
|--|-----------|------------|-----------|--------|-------------|---------------|
|  | WIDTH (W) | HEIGHT (H) | DEPTH (D) | VOLUME |             |               |
|  | cm / inch |            |           | m3     |             | HIGH GLOSS    |



|              |         |    |    |      |            |            |
|--------------|---------|----|----|------|------------|------------|
| <b>42008</b> | TOCADOR |    |    |      | <b>415</b> | <b>519</b> |
|              | 108     | 80 | 50 | 0,32 |            |            |

NO DISPONIBLE EN ACABADOS ROBLE

|              |                |      |       |      |            |            |
|--------------|----------------|------|-------|------|------------|------------|
| <b>42008</b> | VANITY DRESSER |      |       |      | <b>415</b> | <b>519</b> |
|              | 42,52          | 31,5 | 19,69 | 0,32 |            |            |

NOT AVAILABLE IN OAK FINISH

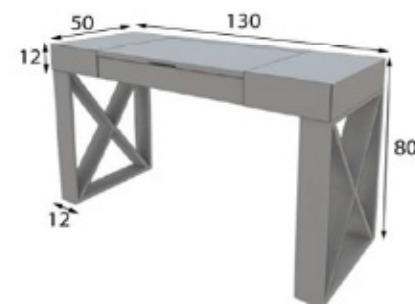


|              |         |    |    |      |            |            |
|--------------|---------|----|----|------|------------|------------|
| <b>42010</b> | TOCADOR |    |    |      | <b>572</b> | <b>686</b> |
|              | 130     | 80 | 50 | 0,63 |            |            |

NO DISPONIBLE EN ACABADOS ROBLE  
PATA METÁLICA: ES POSIBLE PINTARLAS LACADO MATE Y EFECTOS METALIZADOS

|              |                |      |       |      |            |            |
|--------------|----------------|------|-------|------|------------|------------|
| <b>42010</b> | VANITY DRESSER |      |       |      | <b>572</b> | <b>686</b> |
|              | 51,18          | 31,5 | 19,69 | 0,63 |            |            |

NOT AVAILABLE IN OAK FINISH  
METAL LEG CAN ONLY BE PAINTED IN MATT OR METAL EFFECTS

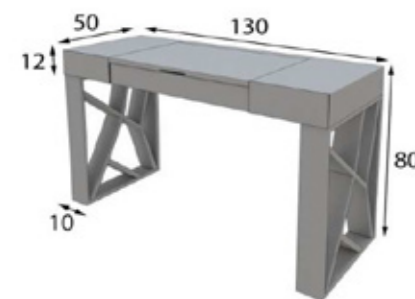


|              |         |    |    |      |            |            |
|--------------|---------|----|----|------|------------|------------|
| <b>42012</b> | TOCADOR |    |    |      | <b>502</b> | <b>602</b> |
|              | 130     | 80 | 50 | 0,27 |            |            |

NO DISPONIBLE EN ACABADOS ROBLE  
PATA METÁLICA: ES POSIBLE PINTARLAS LACADO MATE Y EFECTOS METALIZADOS

|              |                |      |       |      |            |            |
|--------------|----------------|------|-------|------|------------|------------|
| <b>42012</b> | VANITY DRESSER |      |       |      | <b>502</b> | <b>602</b> |
|              | 51,18          | 31,5 | 19,69 | 0,27 |            |            |

NOT AVAILABLE IN OAK FINISH  
METAL LEG CAN ONLY BE PAINTED IN MATT OR METAL EFFECTS



|              |         |    |    |      |            |            |
|--------------|---------|----|----|------|------------|------------|
| <b>42014</b> | TOCADOR |    |    |      | <b>590</b> | <b>708</b> |
|              | 130     | 80 | 50 | 0,27 |            |            |

NO DISPONIBLE EN ACABADOS ROBLE  
PATA METÁLICA: ES POSIBLE PINTARLAS LACADO MATE Y EFECTOS METALIZADOS

|              |                |      |       |      |            |            |
|--------------|----------------|------|-------|------|------------|------------|
| <b>42014</b> | VANITY DRESSER |      |       |      | <b>590</b> | <b>708</b> |
|              | 51,18          | 31,5 | 19,69 | 0,27 |            |            |

NOT AVAILABLE IN OAK FINISH  
METAL LEG CAN ONLY BE PAINTED IN MATT OR METAL EFFECTS

|  | ANCHO /   | ALTO /     | FONDO /   | VOL /  | MATE / MATT | ALTO BRILLO / |
|--|-----------|------------|-----------|--------|-------------|---------------|
|  | WIDTH (W) | HEIGHT (H) | DEPTH (D) | VOLUME |             |               |
|  | cm / inch |            |           | m3     |             | HIGH GLOSS    |

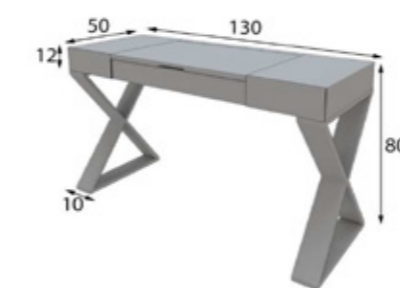


|              |         |    |    |      |            |            |
|--------------|---------|----|----|------|------------|------------|
| <b>42016</b> | TOCADOR |    |    |      | <b>380</b> | <b>456</b> |
|              | 130     | 80 | 50 | 0,27 |            |            |

NO DISPONIBLE EN ACABADOS ROBLE  
PATA METÁLICA: ES POSIBLE PINTARLAS LACADO MATE Y EFECTOS METALIZADOS

|              |                |      |       |      |            |            |
|--------------|----------------|------|-------|------|------------|------------|
| <b>42016</b> | VANITY DRESSER |      |       |      | <b>380</b> | <b>456</b> |
|              | 51,18          | 31,5 | 19,69 | 0,27 |            |            |

NOT AVAILABLE IN OAK FINISH  
METAL LEG CAN ONLY BE PAINTED IN MATT OR METAL EFFECTS



|              |         |    |    |      |            |            |
|--------------|---------|----|----|------|------------|------------|
| <b>42018</b> | TOCADOR |    |    |      | <b>502</b> | <b>602</b> |
|              | 130     | 80 | 50 | 0,27 |            |            |

NO DISPONIBLE EN ACABADOS ROBLE  
PATA METÁLICA: ES POSIBLE PINTARLAS LACADO MATE Y EFECTOS METALIZADOS

|              |                |      |       |      |            |            |
|--------------|----------------|------|-------|------|------------|------------|
| <b>42018</b> | VANITY DRESSER |      |       |      | <b>502</b> | <b>602</b> |
|              | 51,18          | 31,5 | 19,69 | 0,27 |            |            |

NOT AVAILABLE IN OAK FINISH  
METAL LEG CAN ONLY BE PAINTED IN MATT OR METAL EFFECTS



|              |         |    |    |      |            |            |
|--------------|---------|----|----|------|------------|------------|
| <b>42020</b> | TOCADOR |    |    |      | <b>502</b> | <b>628</b> |
|              | 130     | 80 | 50 | 0,24 |            |            |

NO DISPONIBLE EN ACABADOS ROBLE  
ESTE MUEBLE DEBE DE IR SUJETO A LA PARED

|              |                |      |       |      |            |            |
|--------------|----------------|------|-------|------|------------|------------|
| <b>42020</b> | VANITY DRESSER |      |       |      | <b>502</b> | <b>628</b> |
|              | 51,18          | 31,5 | 19,69 | 0,24 |            |            |

NOT AVAILABLE IN OAK FINISH  
MUST BE FIXED TO THE WALL



|              |         |    |    |      |            |            |
|--------------|---------|----|----|------|------------|------------|
| <b>42022</b> | TOCADOR |    |    |      | <b>502</b> | <b>628</b> |
|              | 130     | 80 | 50 | 0,24 |            |            |

NO DISPONIBLE EN ACABADOS ROBLE  
ESTE MUEBLE DEBE DE IR SUJETO A LA PARED

|              |                |      |       |      |            |            |
|--------------|----------------|------|-------|------|------------|------------|
| <b>42022</b> | VANITY DRESSER |      |       |      | <b>502</b> | <b>628</b> |
|              | 51,18          | 31,5 | 19,69 | 0,24 |            |            |

NOT AVAILABLE IN OAK FINISH  
MUST BE FIXED TO THE WALL

|  | ANCHO /   | ALTO /     | FONDO /   | VOL /  | MATE / MATT | ALTO BRILLO / |
|--|-----------|------------|-----------|--------|-------------|---------------|
|  | WIDTH (W) | HEIGHT (H) | DEPTH (D) | VOLUME |             |               |
|  | cm / inch |            |           | m3     |             | HIGH GLOSS    |

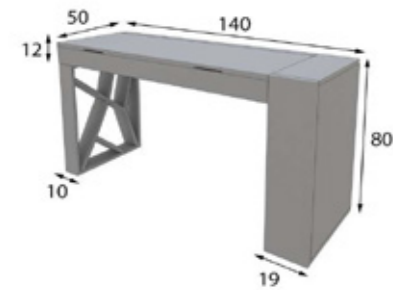


|              |         |    |    |      |            |            |
|--------------|---------|----|----|------|------------|------------|
| <b>42024</b> | TOCADOR |    |    |      | <b>590</b> | <b>738</b> |
|              | 130     | 80 | 50 | 0,63 |            |            |

NO DISPONIBLE EN ACABADOS ROBLE  
ESTE MUEBLE DEBE DE IR SUJETO A LA PARED

|              |                |      |       |      |            |            |
|--------------|----------------|------|-------|------|------------|------------|
| <b>42024</b> | VANITY DRESSER |      |       |      | <b>590</b> | <b>738</b> |
|              | 51,18          | 31,5 | 19,69 | 0,63 |            |            |

NOT AVAILABLE IN OAK FINISH  
MUST BE FIXED TO THE WALL

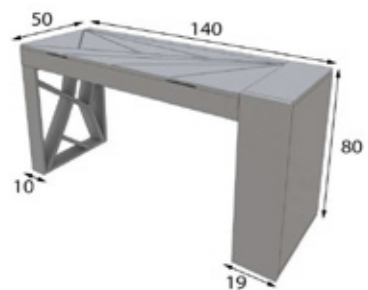


|              |         |    |    |      |            |            |
|--------------|---------|----|----|------|------------|------------|
| <b>42026</b> | TOCADOR |    |    |      | <b>537</b> | <b>671</b> |
|              | 140     | 80 | 50 | 0,35 |            |            |

NO DISPONIBLE EN ACABADOS ROBLE  
PATA METÁLICA: ES POSIBLE PINTARLAS LACADO MATE Y EFECTOS METALIZADOS

|              |                |      |       |      |            |            |
|--------------|----------------|------|-------|------|------------|------------|
| <b>42026</b> | VANITY DRESSER |      |       |      | <b>537</b> | <b>671</b> |
|              | 55,12          | 31,5 | 19,69 | 0,35 |            |            |

NOT AVAILABLE IN OAK FINISH  
METAL LEG CAN ONLY BE PAINTED IN MATT OR METAL EFFECTS

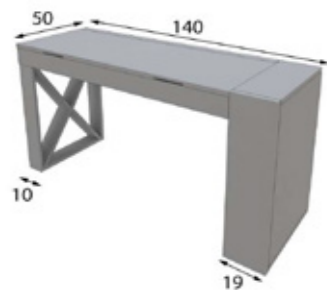


|              |         |    |    |      |            |            |
|--------------|---------|----|----|------|------------|------------|
| <b>42028</b> | TOCADOR |    |    |      | <b>624</b> | <b>780</b> |
|              | 140     | 80 | 50 | 0,35 |            |            |

NO DISPONIBLE EN ACABADOS ROBLE  
PATA METÁLICA: ES POSIBLE PINTARLAS LACADO MATE Y EFECTOS METALIZADOS

|              |                |      |       |      |            |            |
|--------------|----------------|------|-------|------|------------|------------|
| <b>42028</b> | VANITY DRESSER |      |       |      | <b>624</b> | <b>780</b> |
|              | 55,12          | 31,5 | 19,69 | 0,35 |            |            |

NOT AVAILABLE IN OAK FINISH  
METAL LEG CAN ONLY BE PAINTED IN MATT OR METAL EFFECTS



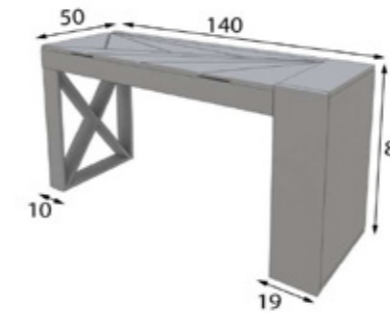
|              |         |    |    |      |            |            |
|--------------|---------|----|----|------|------------|------------|
| <b>42030</b> | TOCADOR |    |    |      | <b>485</b> | <b>606</b> |
|              | 140     | 80 | 50 | 0,35 |            |            |

NO DISPONIBLE EN ACABADOS ROBLE  
PATA METÁLICA: ES POSIBLE PINTARLAS LACADO MATE Y EFECTOS METALIZADOS

|              |                |      |       |      |            |            |
|--------------|----------------|------|-------|------|------------|------------|
| <b>42030</b> | VANITY DRESSER |      |       |      | <b>485</b> | <b>606</b> |
|              | 55,12          | 31,5 | 19,69 | 0,35 |            |            |

NOT AVAILABLE IN OAK FINISH  
METAL LEG CAN ONLY BE PAINTED IN MATT OR METAL EFFECTS

|  | ANCHO /   | ALTO /     | FONDO /   | VOL /  | MATE / MATT | ALTO BRILLO / |
|--|-----------|------------|-----------|--------|-------------|---------------|
|  | WIDTH (W) | HEIGHT (H) | DEPTH (D) | VOLUME |             |               |
|  | cm / inch |            |           | m3     |             | HIGH GLOSS    |

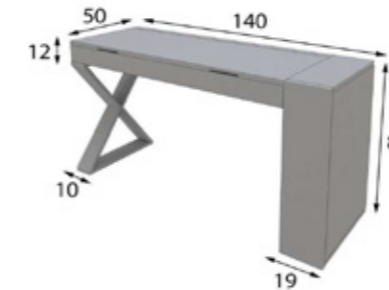


|              |         |    |    |      |            |            |
|--------------|---------|----|----|------|------------|------------|
| <b>42032</b> | TOCADOR |    |    |      | <b>550</b> | <b>688</b> |
|              | 140     | 80 | 50 | 0,35 |            |            |

NO DISPONIBLE EN ACABADOS ROBLE  
PATA METÁLICA: ES POSIBLE PINTARLAS LACADO MATE Y EFECTOS METALIZADOS

|              |                |      |       |      |            |            |
|--------------|----------------|------|-------|------|------------|------------|
| <b>42032</b> | VANITY DRESSER |      |       |      | <b>550</b> | <b>688</b> |
|              | 55,12          | 31,5 | 19,69 | 0,35 |            |            |

NOT AVAILABLE IN OAK FINISH  
METAL LEG CAN ONLY BE PAINTED IN MATT OR METAL EFFECTS

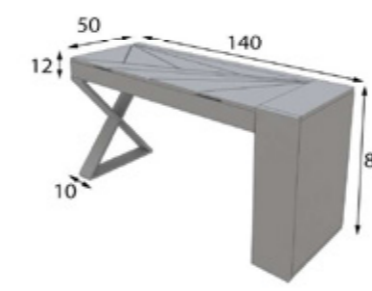


|              |         |    |    |      |            |            |
|--------------|---------|----|----|------|------------|------------|
| <b>42034</b> | TOCADOR |    |    |      | <b>485</b> | <b>606</b> |
|              | 140     | 80 | 50 | 0,35 |            |            |

NO DISPONIBLE EN ACABADOS ROBLE  
PATA METÁLICA: ES POSIBLE PINTARLAS LACADO MATE Y EFECTOS METALIZADOS

|              |                |      |       |      |            |            |
|--------------|----------------|------|-------|------|------------|------------|
| <b>42034</b> | VANITY DRESSER |      |       |      | <b>485</b> | <b>606</b> |
|              | 55,12          | 31,5 | 19,69 | 0,35 |            |            |

NOT AVAILABLE IN OAK FINISH  
METAL LEG CAN ONLY BE PAINTED IN MATT OR METAL EFFECTS

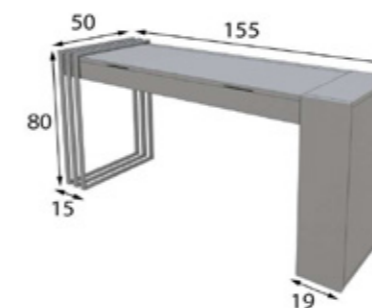


|              |         |    |    |      |            |            |
|--------------|---------|----|----|------|------------|------------|
| <b>42036</b> | TOCADOR |    |    |      | <b>550</b> | <b>688</b> |
|              | 140     | 80 | 50 | 0,35 |            |            |

NO DISPONIBLE EN ACABADOS ROBLE  
PATA METÁLICA: ES POSIBLE PINTARLAS LACADO MATE Y EFECTOS METALIZADOS

|              |                |      |       |      |            |            |
|--------------|----------------|------|-------|------|------------|------------|
| <b>42036</b> | VANITY DRESSER |      |       |      | <b>550</b> | <b>688</b> |
|              | 55,12          | 31,5 | 19,69 | 0,35 |            |            |

NOT AVAILABLE IN OAK FINISH  
METAL LEG CAN ONLY BE PAINTED IN MATT OR METAL EFFECTS



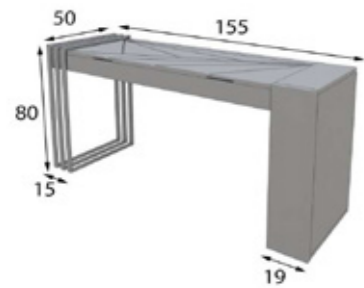
|              |         |    |    |      |            |            |
|--------------|---------|----|----|------|------------|------------|
| <b>42038</b> | TOCADOR |    |    |      | <b>471</b> | <b>589</b> |
|              | 155     | 80 | 50 | 0,35 |            |            |

NO DISPONIBLE EN ACABADOS ROBLE  
PATA METÁLICA: ES POSIBLE PINTARLAS LACADO MATE Y EFECTOS METALIZADOS

|              |                |      |       |      |            |            |
|--------------|----------------|------|-------|------|------------|------------|
| <b>42038</b> | VANITY DRESSER |      |       |      | <b>471</b> | <b>589</b> |
|              | 61,02          | 31,5 | 19,69 | 0,35 |            |            |

NOT AVAILABLE IN OAK FINISH  
METAL LEG CAN ONLY BE PAINTED IN MATT OR METAL EFFECTS

|  | ANCHO /   | ALTO /     | FONDO /   | VOL /  | MATE / MATT | ALTO BRILLO / |
|--|-----------|------------|-----------|--------|-------------|---------------|
|  | WIDTH (W) | HEIGHT (H) | DEPTH (D) | VOLUME |             |               |
|  | cm / inch |            |           | m3     |             | HIGH GLOSS    |

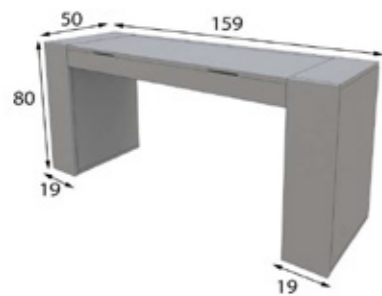


|              |         |    |    |      |            |            |
|--------------|---------|----|----|------|------------|------------|
| <b>42040</b> | TOCADOR |    |    |      | <b>537</b> | <b>671</b> |
|              | 155     | 80 | 50 | 0,35 |            |            |

NO DISPONIBLE EN ACABADOS ROBLE  
PATA METÁLICA: ES POSIBLE PINTARLAS LACADO MATE Y EFECTOS METALIZADOS

|              |                |      |       |      |            |            |
|--------------|----------------|------|-------|------|------------|------------|
| <b>42040</b> | VANITY DRESSER |      |       |      | <b>537</b> | <b>671</b> |
|              | 61,02          | 31,5 | 19,69 | 0,35 |            |            |

NOT AVAILABLE IN OAK FINISH  
METAL LEG CAN ONLY BE PAINTED IN MATT OR METAL EFFECTS

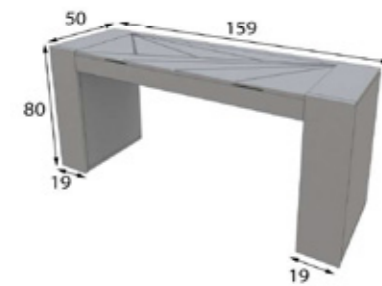


|              |         |    |    |      |            |            |
|--------------|---------|----|----|------|------------|------------|
| <b>42042</b> | TOCADOR |    |    |      | <b>494</b> | <b>618</b> |
|              | 159     | 80 | 50 | 0,38 |            |            |

NO DISPONIBLE EN ACABADOS ROBLE

|              |                |      |       |      |            |            |
|--------------|----------------|------|-------|------|------------|------------|
| <b>42042</b> | VANITY DRESSER |      |       |      | <b>494</b> | <b>618</b> |
|              | 62,6           | 31,5 | 19,69 | 0,38 |            |            |

NOT AVAILABLE IN OAK FINISH

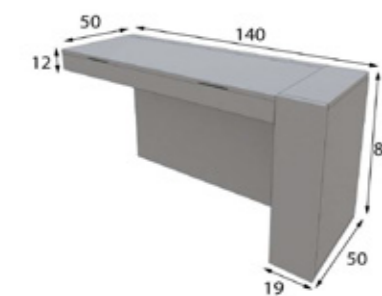


|              |         |    |    |      |            |            |
|--------------|---------|----|----|------|------------|------------|
| <b>42044</b> | TOCADOR |    |    |      | <b>559</b> | <b>699</b> |
|              | 159     | 80 | 50 | 0,38 |            |            |

NO DISPONIBLE EN ACABADOS ROBLE

|              |                |      |       |      |            |            |
|--------------|----------------|------|-------|------|------------|------------|
| <b>42044</b> | VANITY DRESSER |      |       |      | <b>559</b> | <b>699</b> |
|              | 62,6           | 31,5 | 19,69 | 0,38 |            |            |

NOT AVAILABLE IN OAK FINISH



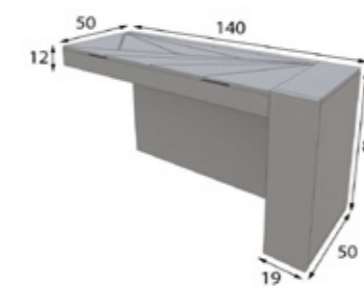
|              |         |    |    |      |            |            |
|--------------|---------|----|----|------|------------|------------|
| <b>42046</b> | TOCADOR |    |    |      | <b>471</b> | <b>589</b> |
|              | 140     | 80 | 50 | 0,34 |            |            |

NO DISPONIBLE EN ACABADOS ROBLE

|              |                |      |       |      |            |            |
|--------------|----------------|------|-------|------|------------|------------|
| <b>42046</b> | VANITY DRESSER |      |       |      | <b>471</b> | <b>589</b> |
|              | 55,12          | 31,5 | 19,69 | 0,34 |            |            |

NOT AVAILABLE IN OAK FINISH

|  | ANCHO /   | ALTO /     | FONDO /   | VOL /  | MATE / MATT | ALTO BRILLO / |
|--|-----------|------------|-----------|--------|-------------|---------------|
|  | WIDTH (W) | HEIGHT (H) | DEPTH (D) | VOLUME |             |               |
|  | cm / inch |            |           | m3     |             | HIGH GLOSS    |

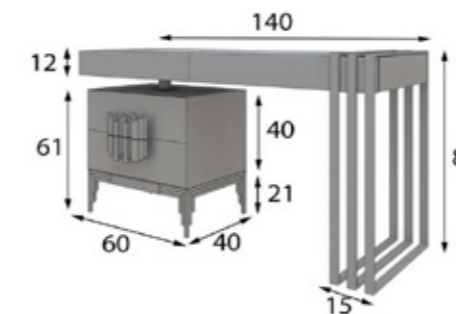


|              |         |    |    |      |            |            |
|--------------|---------|----|----|------|------------|------------|
| <b>42048</b> | TOCADOR |    |    |      | <b>537</b> | <b>671</b> |
|              | 140     | 80 | 50 | 0,34 |            |            |

NO DISPONIBLE EN ACABADOS ROBLE

|              |                |      |       |      |            |            |
|--------------|----------------|------|-------|------|------------|------------|
| <b>42048</b> | VANITY DRESSER |      |       |      | <b>537</b> | <b>671</b> |
|              | 55,12          | 31,5 | 19,69 | 0,34 |            |            |

NOT AVAILABLE IN OAK FINISH

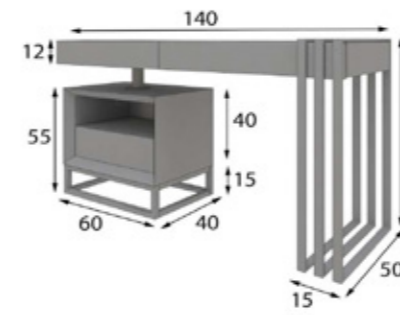


|              |         |    |    |      |            |            |
|--------------|---------|----|----|------|------------|------------|
| <b>42050</b> | TOCADOR |    |    |      | <b>730</b> | <b>913</b> |
|              | 140     | 80 | 50 | 0,40 |            |            |

NO DISPONIBLE EN ACABADOS ROBLE  
PATA METÁLICA: ES POSIBLE PINTARLAS LACADO MATE Y EFECTOS METALIZADOS  
SOPORTE TUBULAR ACABADO CROMO BRILLO, PLATA VIEJA, ORO VIEJO Y COBRE VIEJO  
TIRADORES: ES POSIBLE ACABARLOS EN ACABADOS MATES Y METALIZADOS

|              |                |      |       |      |            |            |
|--------------|----------------|------|-------|------|------------|------------|
| <b>42050</b> | VANITY DRESSER |      |       |      | <b>730</b> | <b>913</b> |
|              | 55,12          | 31,5 | 19,69 | 0,40 |            |            |

NOT AVAILABLE IN OAK FINISH  
METAL LEG CAN ONLY BE PAINTED IN MATT OR METAL EFFECTS  
TUBULAR SUPPORT CHORME FINISH, OLD SILVER, OLD GOLD OR OLD COPPER  
HANDLES: It IS POSSIBLE to FINISH THEM IN MATT FINISHINGS AND METALLISED

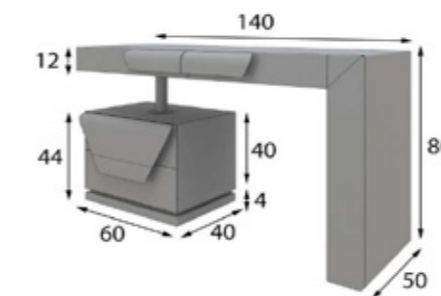


|              |         |    |    |      |            |            |
|--------------|---------|----|----|------|------------|------------|
| <b>42052</b> | TOCADOR |    |    |      | <b>590</b> | <b>738</b> |
|              | 140     | 80 | 50 | 0,43 |            |            |

NO DISPONIBLE EN ACABADOS ROBLE  
PATA METÁLICA: ES POSIBLE PINTARLAS LACADO MATE Y EFECTOS METALIZADOS  
SOPORTE TUBULAR ACABADO CROMO BRILLO, PLATA VIEJA, ORO VIEJO Y COBRE VIEJO

|              |                |      |       |      |            |            |
|--------------|----------------|------|-------|------|------------|------------|
| <b>42052</b> | VANITY DRESSER |      |       |      | <b>590</b> | <b>738</b> |
|              | 55,12          | 31,5 | 19,69 | 0,43 |            |            |

NOT AVAILABLE IN OAK FINISH  
METAL LEG CAN ONLY BE PAINTED IN MATT OR METAL EFFECTS  
TUBULAR SUPPORT CHORME FINISH, OLD SILVER, OLD GOLD OR OLD COPPER



|              |         |    |    |      |            |            |
|--------------|---------|----|----|------|------------|------------|
| <b>42054</b> | TOCADOR |    |    |      | <b>515</b> | <b>644</b> |
|              | 140     | 80 | 50 | 0,49 |            |            |

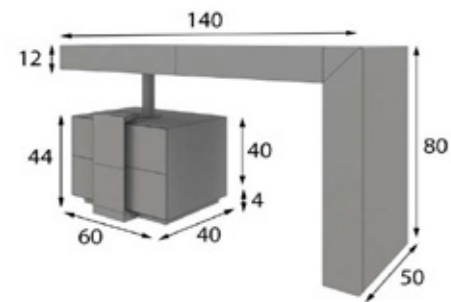
NO DISPONIBLE EN ACABADOS ROBLE  
PATA METÁLICA: ES POSIBLE PINTARLAS LACADO MATE Y EFECTOS METALIZADOS  
SOPORTE TUBULAR ACABADO CROMO BRILLO, PLATA VIEJA, ORO VIEJO Y COBRE VIEJO

|              |                |      |       |      |            |            |
|--------------|----------------|------|-------|------|------------|------------|
| <b>42054</b> | VANITY DRESSER |      |       |      | <b>515</b> | <b>644</b> |
|              | 55,12          | 31,5 | 19,69 | 0,49 |            |            |

NOT AVAILABLE IN OAK FINISH  
METAL LEG CAN ONLY BE PAINTED IN MATT OR METAL EFFECTS  
TUBULAR SUPPORT CHORME FINISH, OLD SILVER, OLD GOLD OR OLD COPPER



|  | ANCHO /   | ALTO /     | FONDO /   | VOL /  | MATE / MATT | ALTO BRILLO / |
|--|-----------|------------|-----------|--------|-------------|---------------|
|  | WIDTH (W) | HEIGHT (H) | DEPTH (D) | VOLUME |             |               |
|  | cm / inch |            |           | m3     |             | HIGH GLOSS    |

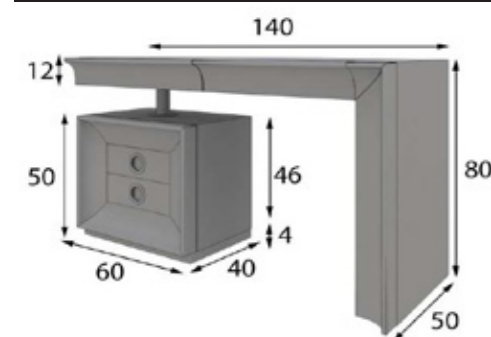


|              |         |    |    |      |            |            |
|--------------|---------|----|----|------|------------|------------|
| <b>42056</b> | TOCADOR |    |    |      | <b>515</b> | <b>644</b> |
|              | 140     | 80 | 50 | 0,49 |            |            |

NO DISPONIBLE EN ACABADOS ROBLE  
 PATA METÁLICA: ES POSIBLE PINTARLAS LACADO MATE Y EFECTOS METALIZADOS  
 SOPORTE TUBULAR ACABADO CROMO BRILLO, PLATA VIEJA, ORO VIEJO Y COBRE VIEJO

|              |                |      |       |      |            |            |
|--------------|----------------|------|-------|------|------------|------------|
| <b>42056</b> | VANITY DRESSER |      |       |      | <b>515</b> | <b>644</b> |
|              | 55,12          | 31,5 | 19,69 | 0,49 |            |            |

NOT AVAILABLE IN OAK FINISH  
 METAL LEG CAN ONLY BE PAINTED IN MATT OR METAL EFFECTS  
 TUBULAR SUPPORT CHORME FINISH, OLD SILVER, OLD GOLD OR OLD COPPER

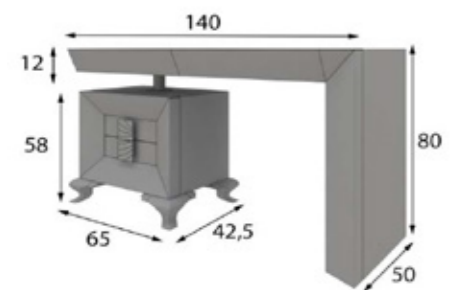


|              |         |    |    |      |            |            |
|--------------|---------|----|----|------|------------|------------|
| <b>42058</b> | TOCADOR |    |    |      | <b>524</b> | <b>655</b> |
|              | 140     | 80 | 50 | 0,49 |            |            |

NO DISPONIBLE EN ACABADOS ROBLE  
 PATA METÁLICA: ES POSIBLE PINTARLAS LACADO MATE Y EFECTOS METALIZADOS  
 SOPORTE TUBULAR ACABADO CROMO BRILLO, PLATA VIEJA, ORO VIEJO Y COBRE VIEJO  
 INDIQUE COLOR DE LA TRASERA DEL TIRADOR

|              |                |      |       |      |            |            |
|--------------|----------------|------|-------|------|------------|------------|
| <b>42058</b> | VANITY DRESSER |      |       |      | <b>524</b> | <b>655</b> |
|              | 55,12          | 31,5 | 19,69 | 0,49 |            |            |

NOT AVAILABLE IN OAK FINISH  
 METAL LEG CAN ONLY BE PAINTED IN MATT OR METAL EFFECTS  
 TUBULAR SUPPORT CHORME FINISH, OLD SILVER, OLD GOLD OR OLD COPPER  
 INDICATE THE FINISH FOR THE BACK OF THE HANDLE

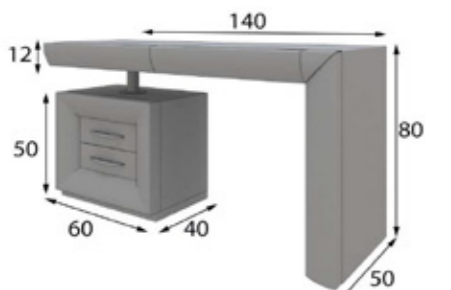


|              |         |    |    |      |            |            |
|--------------|---------|----|----|------|------------|------------|
| <b>42060</b> | TOCADOR |    |    |      | <b>524</b> | <b>655</b> |
|              | 140     | 80 | 50 | 0,51 |            |            |

NO DISPONIBLE EN ACABADOS ROBLE  
 PATA METÁLICA: ES POSIBLE PINTARLAS LACADO MATE Y EFECTOS METALIZADOS  
 SOPORTE TUBULAR ACABADO CROMO BRILLO, PLATA VIEJA, ORO VIEJO Y COBRE VIEJO

|              |                |      |       |      |            |            |
|--------------|----------------|------|-------|------|------------|------------|
| <b>42060</b> | VANITY DRESSER |      |       |      | <b>524</b> | <b>655</b> |
|              | 55,12          | 31,5 | 19,69 | 0,51 |            |            |

NOT AVAILABLE IN OAK FINISH  
 METAL LEG CAN ONLY BE PAINTED IN MATT OR METAL EFFECTS  
 TUBULAR SUPPORT CHORME FINISH, OLD SILVER, OLD GOLD OR OLD COPPER



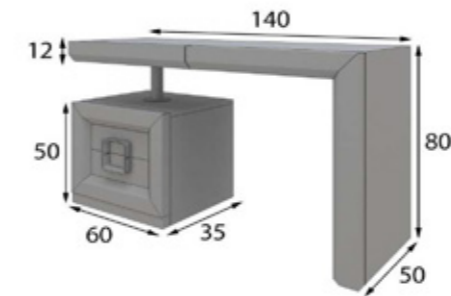
|              |         |    |    |      |            |            |
|--------------|---------|----|----|------|------------|------------|
| <b>42062</b> | TOCADOR |    |    |      | <b>524</b> | <b>655</b> |
|              | 140     | 80 | 50 | 0,49 |            |            |

NO DISPONIBLE EN ACABADOS ROBLE  
 PATA METÁLICA: ES POSIBLE PINTARLAS LACADO MATE Y EFECTOS METALIZADOS  
 SOPORTE TUBULAR ACABADO CROMO BRILLO, PLATA VIEJA, ORO VIEJO Y COBRE VIEJO

|              |                |      |       |      |            |            |
|--------------|----------------|------|-------|------|------------|------------|
| <b>42062</b> | VANITY DRESSER |      |       |      | <b>524</b> | <b>655</b> |
|              | 55,12          | 31,5 | 19,69 | 0,49 |            |            |

NOT AVAILABLE IN OAK FINISH  
 METAL LEG CAN ONLY BE PAINTED IN MATT OR METAL EFFECTS  
 TUBULAR SUPPORT CHORME FINISH, OLD SILVER, OLD GOLD OR OLD COPPER

|  | ANCHO /   | ALTO /     | FONDO /   | VOL /  | MATE / MATT | ALTO BRILLO / |
|--|-----------|------------|-----------|--------|-------------|---------------|
|  | WIDTH (W) | HEIGHT (H) | DEPTH (D) | VOLUME |             |               |
|  | cm / inch |            |           | m3     |             | HIGH GLOSS    |

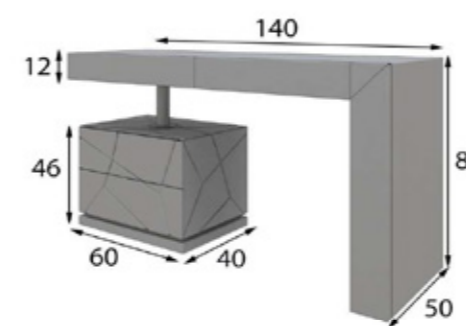


|              |         |    |    |      |            |            |
|--------------|---------|----|----|------|------------|------------|
| <b>42064</b> | TOCADOR |    |    |      | <b>524</b> | <b>655</b> |
|              | 140     | 80 | 50 | 0,49 |            |            |

NO DISPONIBLE EN ACABADOS ROBLE  
 PATA METÁLICA: ES POSIBLE PINTARLAS LACADO MATE Y EFECTOS METALIZADOS  
 SOPORTE TUBULAR ACABADO CROMO BRILLO, PLATA VIEJA, ORO VIEJO Y COBRE VIEJO  
 TIRADORES ENZO DISPONIBLES EN PLATA VIEJA, ORO VIEJO Y COBRE VIEJO

|              |                |      |       |      |            |            |
|--------------|----------------|------|-------|------|------------|------------|
| <b>42064</b> | VANITY DRESSER |      |       |      | <b>524</b> | <b>655</b> |
|              | 55,12          | 31,5 | 19,69 | 0,49 |            |            |

NOT AVAILABLE IN OAK FINISH  
 METAL LEG CAN ONLY BE PAINTED IN MATT OR METAL EFFECTS  
 TUBULAR SUPPORT CHORME FINISH, OLD SILVER, OLD GOLD OR OLD COPPER  
 ENZO HANDLES AVAILABLE IN OLD SILVER, OLD GOLD & OLD COPPER

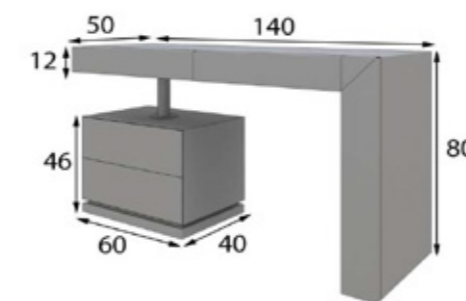


|              |         |    |    |      |            |            |
|--------------|---------|----|----|------|------------|------------|
| <b>42066</b> | TOCADOR |    |    |      | <b>567</b> | <b>709</b> |
|              | 140     | 80 | 50 | 0,49 |            |            |

NO DISPONIBLE EN ACABADOS ROBLE  
 PATA METÁLICA: ES POSIBLE PINTARLAS LACADO MATE Y EFECTOS METALIZADOS  
 SOPORTE TUBULAR ACABADO CROMO BRILLO, PLATA VIEJA, ORO VIEJO Y COBRE VIEJO  
 LUZ LED EN ZÓCALO 55 PUNTOS

|              |                |      |       |      |            |            |
|--------------|----------------|------|-------|------|------------|------------|
| <b>42066</b> | VANITY DRESSER |      |       |      | <b>567</b> | <b>709</b> |
|              | 55,12          | 31,5 | 19,69 | 0,49 |            |            |

NOT AVAILABLE IN OAK FINISH  
 METAL LEG CAN ONLY BE PAINTED IN MATT OR METAL EFFECTS  
 TUBULAR SUPPORT CHORME FINISH, OLD SILVER, OLD GOLD OR OLD COPPER  
 LED LIGHT IN PLINTH 55 POINTS



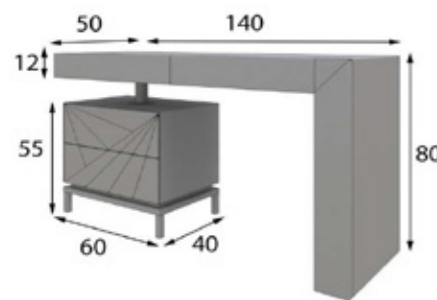
|              |         |    |    |      |            |            |
|--------------|---------|----|----|------|------------|------------|
| <b>42068</b> | TOCADOR |    |    |      | <b>524</b> | <b>655</b> |
|              | 140     | 80 | 50 | 0,49 |            |            |

NO DISPONIBLE EN ACABADOS ROBLE  
 PATA METÁLICA: ES POSIBLE PINTARLAS LACADO MATE Y EFECTOS METALIZADOS  
 SOPORTE TUBULAR ACABADO CROMO BRILLO, PLATA VIEJA, ORO VIEJO Y COBRE VIEJO  
 LUZ LED EN ZÓCALO 55 PUNTOS

|              |                |      |       |      |            |            |
|--------------|----------------|------|-------|------|------------|------------|
| <b>42068</b> | VANITY DRESSER |      |       |      | <b>524</b> | <b>655</b> |
|              | 55,12          | 31,5 | 19,69 | 0,49 |            |            |

NOT AVAILABLE IN OAK FINISH  
 METAL LEG CAN ONLY BE PAINTED IN MATT OR METAL EFFECTS  
 TUBULAR SUPPORT CHORME FINISH, OLD SILVER, OLD GOLD OR OLD COPPER  
 LED LIGHT IN PLINTH 55 POINTS

|  | ANCHO /   | ALTO /     | FONDO /   | VOL /  | MATE / MATT | ALTO BRILLO / |
|--|-----------|------------|-----------|--------|-------------|---------------|
|  | WIDTH (W) | HEIGHT (H) | DEPTH (D) | VOLUME |             |               |
|  | cm / inch |            |           | m3     |             | HIGH GLOSS    |

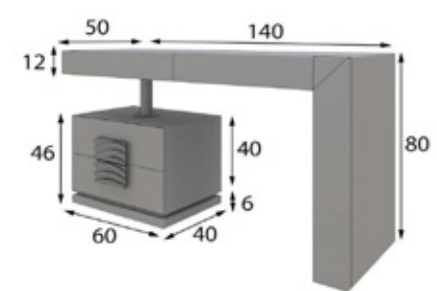


|              |         |    |    |      |            |            |
|--------------|---------|----|----|------|------------|------------|
| <b>42070</b> | TOCADOR |    |    |      | <b>611</b> | <b>764</b> |
|              | 140     | 80 | 50 | 0,49 |            |            |

NO DISPONIBLE EN ACABADOS ROBLE  
 PATA METÁLICA: ES POSIBLE PINTARLAS LACADO MATE Y EFECTOS METALIZADOS  
 SOPORTE TUBULAR ACABADO CROMO BRILLO, PLATA VIEJA, ORO VIEJO Y COBRE VIEJO

|              |                |      |       |      |            |            |
|--------------|----------------|------|-------|------|------------|------------|
| <b>42070</b> | VANITY DRESSER |      |       |      | <b>611</b> | <b>764</b> |
|              | 55,12          | 31,5 | 19,69 | 0,49 |            |            |

NOT AVAILABLE IN OAK FINISH  
 METAL LEG CAN ONLY BE PAINTED IN MATT OR METAL EFFECTS  
 TUBULAR SUPPORT CHORME FINISH, OLD SILVER, OLD GOLD OR OLD COPPER

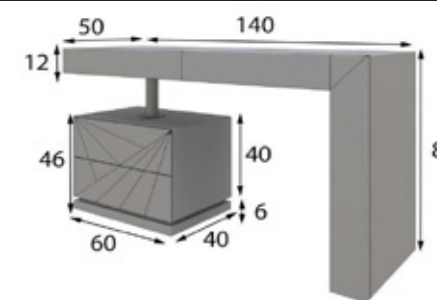


|              |         |    |    |      |            |            |
|--------------|---------|----|----|------|------------|------------|
| <b>42072</b> | TOCADOR |    |    |      | <b>578</b> | <b>723</b> |
|              | 140     | 80 | 50 | 0,49 |            |            |

NO DISPONIBLE EN ACABADOS ROBLE  
 SOPORTE TUBULAR ACABADO CROMO BRILLO, PLATA VIEJA, ORO VIEJO Y COBRE VIEJO  
 TIRADORES: ES POSIBLE ACABARLOS EN ACABADOS MATES Y METALIZADOS  
 LUZ LED EN ZÓCALO 55 PUNTOS

|              |                |      |       |      |            |            |
|--------------|----------------|------|-------|------|------------|------------|
| <b>42072</b> | VANITY DRESSER |      |       |      | <b>578</b> | <b>723</b> |
|              | 55,12          | 31,5 | 19,69 | 0,49 |            |            |

NOT AVAILABLE IN OAK FINISH  
 TUBULAR SUPPORT CHORME FINISH, OLD SILVER, OLD GOLD OR OLD COPPER  
 HANDLES: It IS POSSIBLE to FINISH THEM IN MATT FINISHINGS AND METALLISED  
 LED LIGHT IN PLINTH 55 POINTS

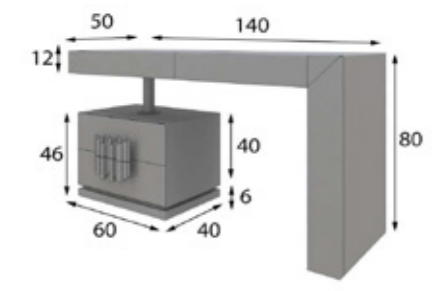


|              |         |    |    |      |            |            |
|--------------|---------|----|----|------|------------|------------|
| <b>42074</b> | TOCADOR |    |    |      | <b>578</b> | <b>723</b> |
|              | 140     | 80 | 50 | 0,49 |            |            |

NO DISPONIBLE EN ACABADOS ROBLE  
 SOPORTE TUBULAR ACABADO CROMO BRILLO, PLATA VIEJA, ORO VIEJO Y COBRE VIEJO  
 LUZ LED EN ZÓCALO 55 PUNTOS

|              |                |      |       |      |            |            |
|--------------|----------------|------|-------|------|------------|------------|
| <b>42074</b> | VANITY DRESSER |      |       |      | <b>578</b> | <b>723</b> |
|              | 55,12          | 31,5 | 19,69 | 0,49 |            |            |

NOT AVAILABLE IN OAK FINISH  
 TUBULAR SUPPORT CHORME FINISH, OLD SILVER, OLD GOLD OR OLD COPPER  
 LED LIGHT IN PLINTH 55 POINTS



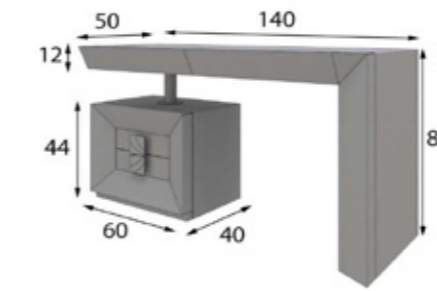
|              |         |    |    |      |            |            |
|--------------|---------|----|----|------|------------|------------|
| <b>42076</b> | TOCADOR |    |    |      | <b>578</b> | <b>723</b> |
|              | 140     | 80 | 50 | 0,49 |            |            |

NO DISPONIBLE EN ACABADOS ROBLE  
 SOPORTE TUBULAR ACABADO CROMO BRILLO, PLATA VIEJA, ORO VIEJO Y COBRE VIEJO  
 TIRADORES: ES POSIBLE ACABARLOS EN ACABADOS MATES Y METALIZADOS  
 LUZ LED EN ZÓCALO 55 PUNTOS

|              |                |      |       |      |            |            |
|--------------|----------------|------|-------|------|------------|------------|
| <b>42076</b> | VANITY DRESSER |      |       |      | <b>578</b> | <b>723</b> |
|              | 55,12          | 31,5 | 19,69 | 0,49 |            |            |

NOT AVAILABLE IN OAK FINISH  
 TUBULAR SUPPORT CHORME FINISH, OLD SILVER, OLD GOLD OR OLD COPPER  
 HANDLES: It IS POSSIBLE to FINISH THEM IN MATT FINISHINGS AND METALLISED  
 LED LIGHT IN PLINTH 55 POINTS

|  | ANCHO /   | ALTO /     | FONDO /   | VOL /  | MATE / MATT | ALTO BRILLO / |
|--|-----------|------------|-----------|--------|-------------|---------------|
|  | WIDTH (W) | HEIGHT (H) | DEPTH (D) | VOLUME |             |               |
|  | cm / inch |            |           | m3     |             | HIGH GLOSS    |

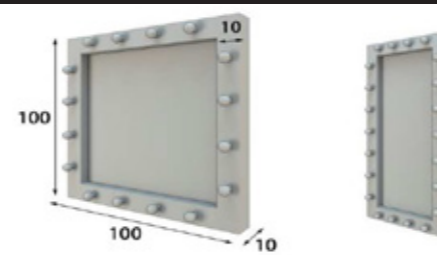


|              |         |    |    |      |            |            |
|--------------|---------|----|----|------|------------|------------|
| <b>42078</b> | TOCADOR |    |    |      | <b>578</b> | <b>723</b> |
|              | 140     | 80 | 50 | 0,49 |            |            |

NO DISPONIBLE EN ACABADOS ROBLE  
 SOPORTE TUBULAR ACABADO CROMO BRILLO, PLATA VIEJA, ORO VIEJO Y COBRE VIEJO

|              |                |      |       |      |            |            |
|--------------|----------------|------|-------|------|------------|------------|
| <b>42078</b> | VANITY DRESSER |      |       |      | <b>578</b> | <b>723</b> |
|              | 55,12          | 31,5 | 19,69 | 0,49 |            |            |

NOT AVAILABLE IN OAK FINISH  
 TUBULAR SUPPORT CHORME FINISH, OLD SILVER, OLD GOLD OR OLD COPPER



|              |                  |     |    |      |            |            |
|--------------|------------------|-----|----|------|------------|------------|
| <b>45383</b> | ESPEJO BOMBILLAS |     |    |      | <b>280</b> | <b>350</b> |
|              | 100              | 100 | 10 | 0,17 |            |            |

|              |                  |     |    |      |            |            |
|--------------|------------------|-----|----|------|------------|------------|
| <b>45384</b> | ESPEJO BOMBILLAS |     |    |      | <b>320</b> | <b>400</b> |
|              | 70               | 150 | 10 | 0,17 |            |            |

|              |                  |     |    |      |            |            |
|--------------|------------------|-----|----|------|------------|------------|
| <b>45385</b> | ESPEJO BOMBILLAS |     |    |      | <b>340</b> | <b>425</b> |
|              | 70               | 170 | 10 | 0,20 |            |            |

NO DISPONIBLE EN ACABADOS ROBLE

|              |                         |       |      |      |            |            |
|--------------|-------------------------|-------|------|------|------------|------------|
| <b>45383</b> | MIRROR WITH LIGHT BULBS |       |      |      | <b>280</b> | <b>350</b> |
|              | 39,37                   | 39,37 | 3,94 | 0,17 |            |            |

|              |                         |       |      |      |            |            |
|--------------|-------------------------|-------|------|------|------------|------------|
| <b>45384</b> | MIRROR WITH LIGHT BULBS |       |      |      | <b>320</b> | <b>400</b> |
|              | 27,56                   | 59,06 | 3,94 | 0,17 |            |            |

|              |                         |       |      |      |            |            |
|--------------|-------------------------|-------|------|------|------------|------------|
| <b>45385</b> | MIRROR WITH LIGHT BULBS |       |      |      | <b>340</b> | <b>425</b> |
|              | 27,56                   | 66,93 | 3,94 | 0,20 |            |            |

NOT AVAILABLE IN OAK FINISH



|              |                   |     |   |      |            |            |
|--------------|-------------------|-----|---|------|------------|------------|
| <b>57710</b> | ESPEJO 100x100 cm |     |   |      | <b>113</b> | <b>141</b> |
|              | 100               | 100 | 5 | 0,11 |            |            |

|              |                  |    |   |      |            |            |
|--------------|------------------|----|---|------|------------|------------|
| <b>57711</b> | ESPEJO 150x70 cm |    |   |      | <b>122</b> | <b>153</b> |
|              | 150              | 70 | 5 | 0,12 |            |            |

|              |                  |    |   |      |            |            |
|--------------|------------------|----|---|------|------------|------------|
| <b>57712</b> | ESPEJO 170x70 cm |    |   |      | <b>140</b> | <b>175</b> |
|              | 170              | 70 | 5 | 0,13 |            |            |

LUZ LED EN MARCO INTERIOR 84 PUNTOS  
 ANCHO DE MARCO 3 CM

|              |                   |       |      |      |            |            |
|--------------|-------------------|-------|------|------|------------|------------|
| <b>57710</b> | MIRROR 100x100 cm |       |      |      | <b>113</b> | <b>141</b> |
|              | 39,37             | 39,37 | 1,97 | 0,11 |            |            |

|              |                  |       |      |      |            |            |
|--------------|------------------|-------|------|------|------------|------------|
| <b>57711</b> | MIRROR 150x70 cm |       |      |      | <b>122</b> | <b>153</b> |
|              | 59,06            | 27,56 | 1,97 | 0,12 |            |            |

|              |                  |       |      |      |            |            |
|--------------|------------------|-------|------|------|------------|------------|
| <b>57712</b> | MIRROR 170x70 cm |       |      |      | <b>140</b> | <b>175</b> |
|              | 66,93            | 27,56 | 1,97 | 0,13 |            |            |

LED LIGHT IN FRAME 84 POINTS  
 WIDTH OF THE FRAME 3 cm

|  | ANCHO /<br>WIDTH (W) | ALTO /<br>HEIGHT (H) | FONDO /<br>DEPTH (D) | VOL /<br>VOLUME | MATE / MATT | ALTO BRILLO /<br>HIGH GLOSS |
|--|----------------------|----------------------|----------------------|-----------------|-------------|-----------------------------|
|  | cm / inch            |                      |                      | m3              |             |                             |



|              |                                    |     |    |      |            |  |
|--------------|------------------------------------|-----|----|------|------------|--|
| <b>58519</b> | ESPEJO METALICO PARTIDO 80x80 cm   |     |    |      | <b>150</b> |  |
|              | 80                                 | 80  | 10 | 0,11 |            |  |
| <b>58520</b> | ESPEJO METALICO PARTIDO 100x100 cm |     |    |      | <b>170</b> |  |
|              | 100                                | 100 | 10 | 0,17 |            |  |
| <b>58521</b> | ESPEJO METALICO PARTIDO 120x120 cm |     |    |      | <b>190</b> |  |
|              | 120                                | 120 | 10 | 0,23 |            |  |

EN LAS MEDIDAS TOTALES SE CONSIDERA UNA SEPARACIÓN DE 5 cm ENTRE ESPEJOS  
MARCO DE ESPEJO METÁLICO: SE PUEDEN UTILIZAR MATES, EFECTOS METALIZADOS Y EFECTOS CEMEN

|              |                      |       |      |      |            |  |
|--------------|----------------------|-------|------|------|------------|--|
| <b>58519</b> | METAL MIRROR DIVIDED |       |      |      | <b>150</b> |  |
|              | 31,5                 | 31,5  | 3,94 | 0,11 |            |  |
| <b>58520</b> | METAL MIRROR DIVIDED |       |      |      | <b>170</b> |  |
|              | 39,37                | 39,37 | 3,94 | 0,17 |            |  |
| <b>58521</b> | METAL MIRROR DIVIDED |       |      |      | <b>190</b> |  |
|              | 47,24                | 47,24 | 3,94 | 0,23 |            |  |

IN THE TOTAL MEASURES A SEPARATION OF 5 cm IS CONSIDERED BETWEEN MIRRORS  
METALLIC MIRROR FRAME: MATE AND METALIZED G-1 FINISHES CAN BE USED



|              |  |     |    |      |            |  |
|--------------|--|-----|----|------|------------|--|
| <b>58527</b> | ESPEJO CIRCULAR METALICO DIÁMETRO 80 cm  |     |    |      | <b>180</b> |  |
|              | 80                                       | 80  | 10 | 0,11 |            |  |
| <b>58528</b> | ESPEJO CIRCULAR METALICO DIÁMETRO 100 cm |     |    |      | <b>200</b> |  |
|              | 100                                      | 100 | 10 | 0,17 |            |  |
| <b>58529</b> | ESPEJO CIRCULAR METALICO DIÁMETRO 120 cm |     |    |      | <b>220</b> |  |
|              | 120                                      | 120 | 10 | 0,23 |            |  |

MARCO DE ESPEJO METÁLICO: SE PUEDEN UTILIZAR MATES, EFECTOS METALIZADOS Y EFECTOS CEMEN

|              |                    |       |      |      |            |  |
|--------------|--------------------|-------|------|------|------------|--|
| <b>58527</b> | ROUND METAL MIRROR |       |      |      | <b>180</b> |  |
|              | 31,5               | 31,5  | 3,94 | 0,11 |            |  |
| <b>58528</b> | ROUND METAL MIRROR |       |      |      | <b>200</b> |  |
|              | 39,37              | 39,37 | 3,94 | 0,17 |            |  |
| <b>58529</b> | ROUND METAL MIRROR |       |      |      | <b>220</b> |  |
|              | 47,24              | 47,24 | 3,94 | 0,23 |            |  |

METALLIC MIRROR FRAME: MATE AND METALIZED G-1 FINISHES CAN BE USED

|  | ANCHO /<br>WIDTH (W) | ALTO /<br>HEIGHT (H) | FONDO /<br>DEPTH (D) | VOL /<br>VOLUME | MATE / MATT | ALTO BRILLO /<br>HIGH GLOSS |
|--|----------------------|----------------------|----------------------|-----------------|-------------|-----------------------------|
|  | cm / inch            |                      |                      | m3              |             |                             |



|              |                         |     |   |      |            |            |
|--------------|-------------------------|-----|---|------|------------|------------|
| <b>70073</b> | ESPEJO REDONDO ESCALERA |     |   |      | <b>189</b> | <b>230</b> |
|              | 80                      | 80  | 4 | 0,07 |            |            |
| <b>40048</b> | ESPEJO REDONDO ESCALERA |     |   |      | <b>217</b> | <b>268</b> |
|              | 100                     | 100 | 4 | 0,10 |            |            |
| <b>40049</b> | ESPEJO REDONDO ESCALERA |     |   |      | <b>250</b> | <b>310</b> |
|              | 120                     | 120 | 4 | 0,14 |            |            |

NO DISPONIBLE EN ACABADOS ROBLE

|              |        |       |      |      |            |            |
|--------------|--------|-------|------|------|------------|------------|
| <b>70073</b> | MIRROR |       |      |      | <b>189</b> | <b>230</b> |
|              | 31,5   | 31,5  | 1,57 | 0,07 |            |            |
| <b>40048</b> | MIRROR |       |      |      | <b>217</b> | <b>268</b> |
|              | 39,37  | 39,37 | 1,57 | 0,10 |            |            |
| <b>40049</b> | MIRROR |       |      |      | <b>250</b> | <b>310</b> |
|              | 47,24  | 47,24 | 1,57 | 0,14 |            |            |

NOT AVAILABLE IN OAK FINISH



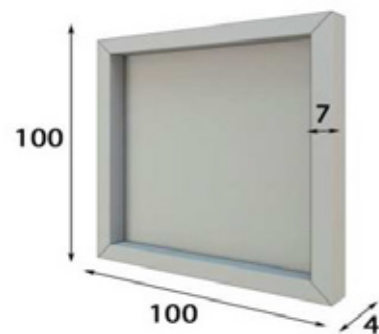
|              |                      |     |   |      |            |            |
|--------------|----------------------|-----|---|------|------------|------------|
| <b>70070</b> | ESPEJO REDONDO CURVA |     |   |      | <b>189</b> | <b>230</b> |
|              | 80                   | 80  | 4 | 0,07 |            |            |
| <b>70087</b> | ESPEJO REDONDO CURVA |     |   |      | <b>217</b> | <b>268</b> |
|              | 100                  | 100 | 4 | 0,10 |            |            |
| <b>70088</b> | ESPEJO REDONDO CURVA |     |   |      | <b>250</b> | <b>310</b> |
|              | 120                  | 120 | 4 | 0,14 |            |            |

NO DISPONIBLE EN ACABADOS ROBLE

|              |        |       |      |      |            |            |
|--------------|--------|-------|------|------|------------|------------|
| <b>70070</b> | MIRROR |       |      |      | <b>189</b> | <b>230</b> |
|              | 31,5   | 31,5  | 1,57 | 0,07 |            |            |
| <b>70087</b> | MIRROR |       |      |      | <b>217</b> | <b>268</b> |
|              | 39,37  | 39,37 | 1,57 | 0,10 |            |            |
| <b>70088</b> | MIRROR |       |      |      | <b>250</b> | <b>310</b> |
|              | 47,24  | 47,24 | 1,57 | 0,14 |            |            |

NOT AVAILABLE IN OAK FINISH

|  | ANCHO /   | ALTO /     | FONDO /   | VOL /  | MATE / MATT | ALTO BRILLO / |
|--|-----------|------------|-----------|--------|-------------|---------------|
|  | WIDTH (W) | HEIGHT (H) | DEPTH (D) | VOLUME |             |               |
|  | cm / inch |            |           | m3     |             | HIGH GLOSS    |



|              |                    |     |   |      |            |            |
|--------------|--------------------|-----|---|------|------------|------------|
| <b>56138</b> | ESPEJO MARCO RECTO |     |   |      | <b>100</b> | <b>125</b> |
|              | 100                | 100 | 4 | 0,10 |            |            |
| <b>56139</b> | ESPEJO MARCO RECTO |     |   |      | <b>120</b> | <b>150</b> |
|              | 70                 | 150 | 4 | 0,10 |            |            |
| <b>56140</b> | ESPEJO MARCO RECTO |     |   |      | <b>130</b> | <b>163</b> |
|              | 70                 | 170 | 4 | 0,12 |            |            |

|              |        |       |      |      |            |            |
|--------------|--------|-------|------|------|------------|------------|
| <b>56138</b> | MIRROR |       |      |      | <b>100</b> | <b>125</b> |
|              | 39,37  | 39,37 | 1,57 | 0,10 |            |            |
| <b>56139</b> | MIRROR |       |      |      | <b>120</b> | <b>150</b> |
|              | 27,56  | 59,06 | 1,57 | 0,10 |            |            |
| <b>56140</b> | MIRROR |       |      |      | <b>130</b> | <b>163</b> |
|              | 27,56  | 66,93 | 1,57 | 0,12 |            |            |

|  | ANCHO /   | ALTO /     | FONDO /   | VOL /  | MATE / MATT | ALTO BRILLO / |
|--|-----------|------------|-----------|--------|-------------|---------------|
|  | WIDTH (W) | HEIGHT (H) | DEPTH (D) | VOLUME |             |               |
|  | cm / inch |            |           | m3     |             | HIGH GLOSS    |



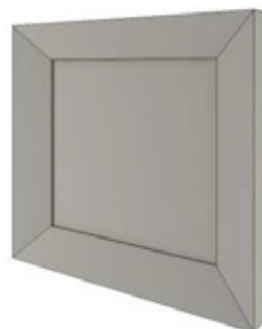
|              |                   |     |   |      |            |            |
|--------------|-------------------|-----|---|------|------------|------------|
| <b>40037</b> | ESPEJO ASIMETRICO |     |   |      | <b>190</b> | <b>235</b> |
|              | 80                | 80  | 4 | 0,07 |            |            |
| <b>45381</b> | ESPEJO ASIMETRICO |     |   |      | <b>217</b> | <b>268</b> |
|              | 100               | 100 | 4 | 0,10 |            |            |
| <b>40038</b> | ESPEJO ASIMETRICO |     |   |      | <b>230</b> | <b>285</b> |
|              | 120               | 120 | 4 | 0,14 |            |            |

NO DISPONIBLE EN ACABADOS ROBLE

|              |        |       |      |      |            |            |
|--------------|--------|-------|------|------|------------|------------|
| <b>40037</b> | MIRROR |       |      |      | <b>190</b> | <b>235</b> |
|              | 31,5   | 31,5  | 1,57 | 0,07 |            |            |
| <b>45381</b> | MIRROR |       |      |      | <b>217</b> | <b>268</b> |
|              | 39,37  | 39,37 | 1,57 | 0,10 |            |            |
| <b>40038</b> | MIRROR |       |      |      | <b>230</b> | <b>285</b> |
|              | 47,24  | 47,24 | 1,57 | 0,14 |            |            |

NOT AVAILABLE IN OAK FINISH

|  | ANCHO /   | ALTO /     | FONDO /   | VOL /  | MATE / MATT | ALTO BRILLO / |
|--|-----------|------------|-----------|--------|-------------|---------------|
|  | WIDTH (W) | HEIGHT (H) | DEPTH (D) | VOLUME |             |               |
|  | cm / inch |            |           | m3     |             | HIGH GLOSS    |



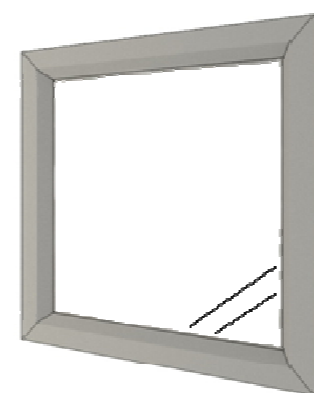
|              |                        |     |   |      |            |            |
|--------------|------------------------|-----|---|------|------------|------------|
| <b>42082</b> | ESPEJO KORA 100x100 cm |     |   |      | <b>116</b> | <b>145</b> |
|              | 100                    | 100 | 5 | 0,11 |            |            |
| <b>42083</b> | ESPEJO KORA 70x170 cm  |     |   |      | <b>128</b> | <b>160</b> |
|              | 70                     | 170 | 5 | 0,13 |            |            |
| <b>42084</b> | ESPEJO KORA 70x150 cm  |     |   |      | <b>134</b> | <b>168</b> |
|              | 70                     | 150 | 5 | 0,12 |            |            |

ANCHO DE MOLDURA 10 cm

|              |             |       |      |      |            |            |
|--------------|-------------|-------|------|------|------------|------------|
| <b>42082</b> | KORA MIRROR |       |      |      | <b>116</b> | <b>145</b> |
|              | 39,37       | 39,37 | 1,97 | 0,11 |            |            |
| <b>42083</b> | KORA MIRROR |       |      |      | <b>128</b> | <b>160</b> |
|              | 27,56       | 66,93 | 1,97 | 0,13 |            |            |
| <b>42084</b> | KORA MIRROR |       |      |      | <b>134</b> | <b>168</b> |
|              | 27,56       | 59,06 | 1,97 | 0,12 |            |            |

WIDTH OF THE FRAME 10 cm

|  | ANCHO /   | ALTO /     | FONDO /   | VOL /  | MATE / MATT | ALTO BRILLO / |
|--|-----------|------------|-----------|--------|-------------|---------------|
|  | WIDTH (W) | HEIGHT (H) | DEPTH (D) | VOLUME |             |               |
|  | cm / inch |            |           | m3     |             | HIGH GLOSS    |



|              |                              |     |    |      |            |            |
|--------------|------------------------------|-----|----|------|------------|------------|
| <b>48873</b> | ESPEJO MARCO ENZO 100x100 cm |     |    |      | <b>101</b> | <b>121</b> |
|              | 100                          | 100 | 10 | 0,17 |            |            |
| <b>48874</b> | ESPEJO MARCO ENZO 70x150 cm  |     |    |      | <b>124</b> | <b>150</b> |
|              | 70                           | 150 | 10 | 0,17 |            |            |
| <b>48875</b> | ESPEJO MARCO ENZO 70x170 cm  |     |    |      | <b>135</b> | <b>162</b> |
|              | 70                           | 170 | 10 | 0,20 |            |            |

ANCHO DE MOLDURA 10 cm

|              |                              |       |      |      |            |            |
|--------------|------------------------------|-------|------|------|------------|------------|
| <b>48873</b> | MIRROR ENZO FRAME 100x100 CM |       |      |      | <b>101</b> | <b>121</b> |
|              | 39,37                        | 39,37 | 3,94 | 0,17 |            |            |
| <b>48874</b> | MIRROR ENZO FRAME 70x150 CM  |       |      |      | <b>124</b> | <b>150</b> |
|              | 27,56                        | 59,06 | 3,94 | 0,17 |            |            |
| <b>48875</b> | MIRROR ENZO FRAME 70x170 CM  |       |      |      | <b>135</b> | <b>162</b> |
|              | 27,56                        | 66,93 | 3,94 | 0,20 |            |            |

WIDTH OF THE FRAME 10 cm

|  | ANCHO /   | ALTO /     | FONDO /   | VOL /  | MATE / MATT | ALTO BRILLO /<br>HIGH GLOSS |
|--|-----------|------------|-----------|--------|-------------|-----------------------------|
|  | WIDTH (W) | HEIGHT (H) | DEPTH (D) | VOLUME |             |                             |
|  | cm / inch |            |           | m3     |             |                             |



|              |                |     |   |      |            |            |
|--------------|----------------|-----|---|------|------------|------------|
| <b>45624</b> | ESPEJO SERIK 2 |     |   |      | <b>116</b> | <b>145</b> |
|              | 100            | 100 | 5 | 0,11 |            |            |
|              |                |     |   |      |            |            |
| <b>45625</b> | ESPEJO SERIK 2 |     |   |      | <b>128</b> | <b>160</b> |
|              | 70             | 150 | 5 | 0,12 |            |            |
| <b>45627</b> | ESPEJO SERIK 2 |     |   |      | <b>134</b> | <b>168</b> |
|              | 70             | 170 | 5 | 0,13 |            |            |

ANCHO DE MOLDURA 10 cm

|              |                |       |      |      |            |            |
|--------------|----------------|-------|------|------|------------|------------|
| <b>45624</b> | MIRROR SERIK 2 |       |      |      | <b>116</b> | <b>145</b> |
|              | 39,37          | 39,37 | 1,97 | 0,11 |            |            |
| <b>45625</b> | MIRROR SERIK 2 |       |      |      | <b>128</b> | <b>160</b> |
|              | 27,56          | 59,06 | 1,97 | 0,12 |            |            |
| <b>45627</b> | MIRROR SERIK 2 |       |      |      | <b>134</b> | <b>168</b> |
|              | 27,56          | 66,93 | 1,97 | 0,13 |            |            |

WIDTH OF THE FRAME 10 cm

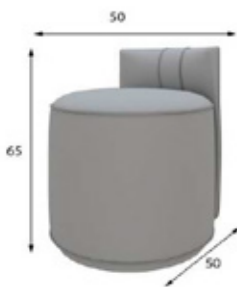


|              |          |    |    |      |            |            |
|--------------|----------|----|----|------|------------|------------|
| <b>45351</b> | BANQUETA |    |    |      | <b>174</b> | <b>210</b> |
|              | 60       | 50 | 50 | 0,20 |            |            |

INDIQUE EL TEJIDO DEL MUESTRARIO EN EL PEDIDO. TELA CLIENTE SIN COSTE ADICIONAL

|              |       |       |       |      |            |            |
|--------------|-------|-------|-------|------|------------|------------|
| <b>45351</b> | STOOL |       |       |      | <b>174</b> | <b>210</b> |
|              | 23,62 | 19,69 | 19,69 | 0,20 |            |            |

INDICATE THE FABRIC FROM THE SWATCH BOOK. COM FABRIC DOES NOT INCUR AN EXTRA CHARGE



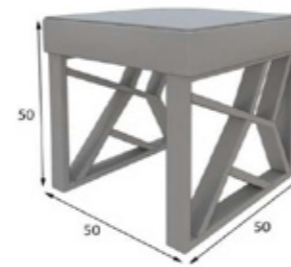
|              |          |    |    |      |            |  |
|--------------|----------|----|----|------|------------|--|
| <b>45358</b> | BANQUETA |    |    |      | <b>140</b> |  |
|              | 50       | 65 | 50 | 0,21 |            |  |

INDIQUE EL TEJIDO DEL MUESTRARIO EN EL PEDIDO. TELA CLIENTE SIN COSTE ADICIONAL

|              |       |       |       |      |            |  |
|--------------|-------|-------|-------|------|------------|--|
| <b>45358</b> | STOOL |       |       |      | <b>140</b> |  |
|              | 19,69 | 25,59 | 19,69 | 0,21 |            |  |

INDICATE THE FABRIC FROM THE SWATCH BOOK. COM FABRIC DOES NOT INCUR AN EXTRA CHARGE

|  | ANCHO /   | ALTO /     | FONDO /   | VOL /  | MATE / MATT | ALTO BRILLO /<br>HIGH GLOSS |
|--|-----------|------------|-----------|--------|-------------|-----------------------------|
|  | WIDTH (W) | HEIGHT (H) | DEPTH (D) | VOLUME |             |                             |
|  | cm / inch |            |           | m3     |             |                             |

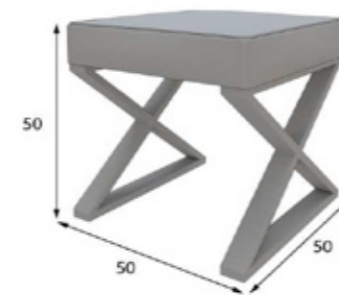


|              |          |    |    |      |            |  |
|--------------|----------|----|----|------|------------|--|
| <b>42089</b> | BANQUETA |    |    |      | <b>173</b> |  |
|              | 50       | 50 | 50 | 0,17 |            |  |

INDIQUE EL TEJIDO DEL MUESTRARIO EN EL PEDIDO. TELA CLIENTE SIN COSTE ADICIONAL  
PATA METÁLICA: ES POSIBLE PINTARLAS LACADO MATE Y EFECTOS METALIZADOS

|              |       |       |       |      |            |  |
|--------------|-------|-------|-------|------|------------|--|
| <b>42089</b> | STOOL |       |       |      | <b>173</b> |  |
|              | 19,69 | 19,69 | 19,69 | 0,17 |            |  |

INDICATE THE FABRIC FROM THE SWATCH BOOK. COM FABRIC DOES NOT INCUR AN EXTRA CHARGE  
METAL LEG CAN ONLY BE PAINTED IN MATT OR METAL EFFECTS

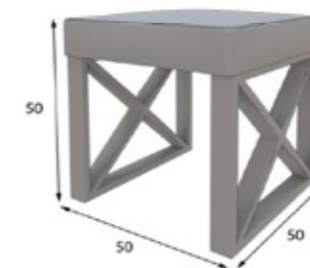


|              |          |    |    |      |            |  |
|--------------|----------|----|----|------|------------|--|
| <b>42090</b> | BANQUETA |    |    |      | <b>143</b> |  |
|              | 50       | 50 | 50 | 0,17 |            |  |

INDIQUE EL TEJIDO DEL MUESTRARIO EN EL PEDIDO. TELA CLIENTE SIN COSTE ADICIONAL  
PATA METÁLICA: ES POSIBLE PINTARLAS LACADO MATE Y EFECTOS METALIZADOS

|              |       |       |       |      |            |  |
|--------------|-------|-------|-------|------|------------|--|
| <b>42090</b> | STOOL |       |       |      | <b>143</b> |  |
|              | 19,69 | 19,69 | 19,69 | 0,17 |            |  |

INDICATE THE FABRIC FROM THE SWATCH BOOK. COM FABRIC DOES NOT INCUR AN EXTRA CHARGE  
METAL LEG CAN ONLY BE PAINTED IN MATT OR METAL EFFECTS

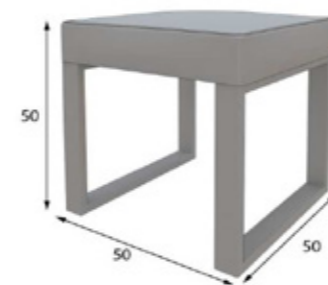


|              |          |    |    |      |            |  |
|--------------|----------|----|----|------|------------|--|
| <b>42091</b> | BANQUETA |    |    |      | <b>143</b> |  |
|              | 50       | 50 | 50 | 0,17 |            |  |

INDIQUE EL TEJIDO DEL MUESTRARIO EN EL PEDIDO. TELA CLIENTE SIN COSTE ADICIONAL  
PATA METÁLICA: ES POSIBLE PINTARLAS LACADO MATE Y EFECTOS METALIZADOS

|              |       |       |       |      |            |  |
|--------------|-------|-------|-------|------|------------|--|
| <b>42091</b> | STOOL |       |       |      | <b>143</b> |  |
|              | 19,69 | 19,69 | 19,69 | 0,17 |            |  |

INDICATE THE FABRIC FROM THE SWATCH BOOK. COM FABRIC DOES NOT INCUR AN EXTRA CHARGE  
METAL LEG CAN ONLY BE PAINTED IN MATT OR METAL EFFECTS



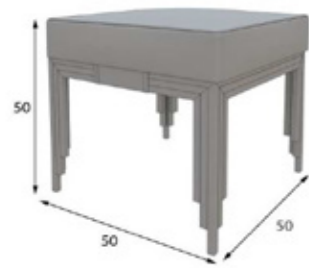
|              |          |    |    |      |            |  |
|--------------|----------|----|----|------|------------|--|
| <b>42092</b> | BANQUETA |    |    |      | <b>143</b> |  |
|              | 50       | 50 | 50 | 0,17 |            |  |

INDIQUE EL TEJIDO DEL MUESTRARIO EN EL PEDIDO. TELA CLIENTE SIN COSTE ADICIONAL  
PATA METÁLICA: ES POSIBLE PINTARLAS LACADO MATE Y EFECTOS METALIZADOS

|              |       |       |       |      |            |  |
|--------------|-------|-------|-------|------|------------|--|
| <b>42092</b> | STOOL |       |       |      | <b>143</b> |  |
|              | 19,69 | 19,69 | 19,69 | 0,17 |            |  |

INDICATE THE FABRIC FROM THE SWATCH BOOK. COM FABRIC DOES NOT INCUR AN EXTRA CHARGE  
METAL LEG CAN ONLY BE PAINTED IN MATT OR METAL EFFECTS

|  | ANCHO /<br>WIDTH (W) | ALTO /<br>HEIGHT (H) | FONDO /<br>DEPTH (D) | VOL /<br>VOLUME | MATE / MATT | ALTO BRILLO /<br>HIGH GLOSS |
|--|----------------------|----------------------|----------------------|-----------------|-------------|-----------------------------|
|  | cm / inch            |                      |                      | m3              |             |                             |

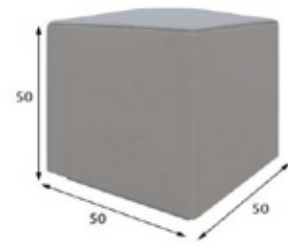


|              |          |    |    |      |            |  |
|--------------|----------|----|----|------|------------|--|
| <b>42093</b> | BANQUETA |    |    |      | <b>194</b> |  |
|              | 50       | 50 | 50 | 0,17 |            |  |

INDIQUE EL TEJIDO DEL MUESTRARIO EN EL PEDIDO. TELA CLIENTE SIN COSTE ADICIONAL  
 PATA METÁLICA: ES POSIBLE PINTARLAS LACADO MATE Y EFECTOS METALIZADOS  
 INDICAR COLOR DETALLE PIEZA MADERA

|              |       |       |       |      |            |  |
|--------------|-------|-------|-------|------|------------|--|
| <b>42093</b> | STOOL |       |       |      | <b>194</b> |  |
|              | 19,69 | 19,69 | 19,69 | 0,17 |            |  |

INDICATE THE FABRIC FROM THE SWATCH BOOK. COM FABRIC DOES NOT INCUR AN EXTRA CHARGE  
 METAL LEG CAN ONLY BE PAINTED IN MATT OR METAL EFFECTS  
 INDICATE WOODEN DETAIL FINISH



|              |          |    |    |      |           |  |
|--------------|----------|----|----|------|-----------|--|
| <b>45364</b> | BANQUETA |    |    |      | <b>95</b> |  |
|              | 50       | 50 | 50 | 0,17 |           |  |

INDIQUE EL TEJIDO DEL MUESTRARIO EN EL PEDIDO. TELA CLIENTE SIN COSTE ADICIONAL

|              |       |       |       |      |           |  |
|--------------|-------|-------|-------|------|-----------|--|
| <b>45364</b> | STOOL |       |       |      | <b>95</b> |  |
|              | 19,69 | 19,69 | 19,69 | 0,17 |           |  |

INDICATE THE FABRIC FROM THE SWATCH BOOK. COM FABRIC DOES NOT INCUR AN EXTRA CHARGE

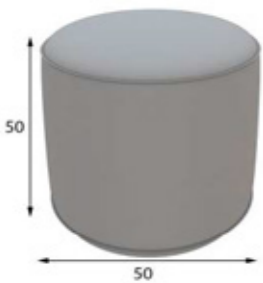


|              |          |    |    |      |            |            |
|--------------|----------|----|----|------|------------|------------|
| <b>45363</b> | BANQUETA |    |    |      | <b>110</b> | <b>126</b> |
|              | 70       | 50 | 45 | 0,21 |            |            |

INDIQUE EL TEJIDO DEL MUESTRARIO EN EL PEDIDO. TELA CLIENTE SIN COSTE ADICIONAL

|              |       |       |       |      |            |            |
|--------------|-------|-------|-------|------|------------|------------|
| <b>45363</b> | STOOL |       |       |      | <b>110</b> | <b>126</b> |
|              | 27,56 | 19,69 | 17,72 | 0,21 |            |            |

INDICATE THE FABRIC FROM THE SWATCH BOOK. COM FABRIC DOES NOT INCUR AN EXTRA CHARGE



|              |      |    |    |      |           |  |
|--------------|------|----|----|------|-----------|--|
| <b>45361</b> | PUFF |    |    |      | <b>95</b> |  |
|              | 50   | 50 | 50 | 0,17 |           |  |

INDIQUE EL TEJIDO DEL MUESTRARIO EN EL PEDIDO. TELA CLIENTE SIN COSTE ADICIONAL

|              |       |       |       |      |           |  |
|--------------|-------|-------|-------|------|-----------|--|
| <b>45361</b> | POUF  |       |       |      | <b>95</b> |  |
|              | 19,69 | 19,69 | 19,69 | 0,17 |           |  |

INDICATE THE FABRIC FROM THE SWATCH BOOK. COM FABRIC DOES NOT INCUR AN EXTRA CHARGE

|  | ANCHO /<br>WIDTH (W) | ALTO /<br>HEIGHT (H) | FONDO /<br>DEPTH (D) | VOL /<br>VOLUME | MATE / MATT | ALTO BRILLO /<br>HIGH GLOSS |
|--|----------------------|----------------------|----------------------|-----------------|-------------|-----------------------------|
|  | cm / inch            |                      |                      | m3              |             |                             |



|              |          |    |    |      |            |            |
|--------------|----------|----|----|------|------------|------------|
| <b>45360</b> | BANQUETA |    |    |      | <b>180</b> | <b>220</b> |
|              | 60       | 50 | 50 | 0,20 |            |            |

INDIQUE EL TEJIDO DEL MUESTRARIO EN EL PEDIDO. TELA CLIENTE SIN COSTE ADICIONAL

|              |       |       |       |      |            |            |
|--------------|-------|-------|-------|------|------------|------------|
| <b>45360</b> | STOOL |       |       |      | <b>180</b> | <b>220</b> |
|              | 23,62 | 19,69 | 19,69 | 0,20 |            |            |

INDICATE THE FABRIC FROM THE SWATCH BOOK. COM FABRIC DOES NOT INCUR AN EXTRA CHARGE



|              |        |    |    |      |            |            |
|--------------|--------|----|----|------|------------|------------|
| <b>45359</b> | SILLÓN |    |    |      | <b>270</b> | <b>307</b> |
|              | 70     | 66 | 80 | 0,45 |            |            |

INDIQUE EL TEJIDO DEL MUESTRARIO EN EL PEDIDO. TELA CLIENTE SIN COSTE ADICIONAL

|              |          |       |      |      |            |            |
|--------------|----------|-------|------|------|------------|------------|
| <b>45359</b> | ARMCHAIR |       |      |      | <b>270</b> | <b>307</b> |
|              | 27,56    | 25,98 | 31,5 | 0,45 |            |            |

INDICATE THE FABRIC FROM THE SWATCH BOOK. COM FABRIC DOES NOT INCUR AN EXTRA CHARGE



|              |          |    |    |      |            |            |
|--------------|----------|----|----|------|------------|------------|
| <b>45357</b> | BANQUETA |    |    |      | <b>104</b> | <b>125</b> |
|              | 50       | 50 | 50 | 0,17 |            |            |

INDIQUE EL TEJIDO DEL MUESTRARIO EN EL PEDIDO. TELA CLIENTE SIN COSTE ADICIONAL

|              |       |       |       |      |            |            |
|--------------|-------|-------|-------|------|------------|------------|
| <b>45357</b> | STOOL |       |       |      | <b>104</b> | <b>125</b> |
|              | 19,69 | 19,69 | 19,69 | 0,17 |            |            |

INDICATE THE FABRIC FROM THE SWATCH BOOK. COM FABRIC DOES NOT INCUR AN EXTRA CHARGE



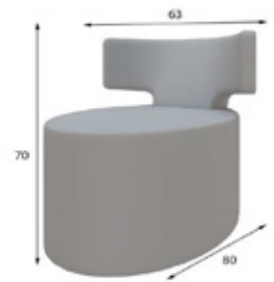
|              |          |    |    |      |            |            |
|--------------|----------|----|----|------|------------|------------|
| <b>45354</b> | BANQUETA |    |    |      | <b>104</b> | <b>125</b> |
|              | 50       | 50 | 50 | 0,17 |            |            |

INDIQUE EL TEJIDO DEL MUESTRARIO EN EL PEDIDO. TELA CLIENTE SIN COSTE ADICIONAL

|              |       |       |       |      |            |            |
|--------------|-------|-------|-------|------|------------|------------|
| <b>45354</b> | STOOL |       |       |      | <b>104</b> | <b>125</b> |
|              | 19,69 | 19,69 | 19,69 | 0,17 |            |            |

INDICATE THE FABRIC FROM THE SWATCH BOOK. COM FABRIC DOES NOT INCUR AN EXTRA CHARGE

|  | ANCHO /<br>WIDTH (W) | ALTO /<br>HEIGHT (H) | FONDO /<br>DEPTH (D) | VOL /<br>VOLUME | MATE / MATT | ALTO BRILLO /<br>HIGH GLOSS |
|--|----------------------|----------------------|----------------------|-----------------|-------------|-----------------------------|
|  | cm / inch            |                      |                      | m3              |             |                             |



|              |          |    |    |      |            |  |
|--------------|----------|----|----|------|------------|--|
| <b>45355</b> | BANQUETA |    |    |      | <b>170</b> |  |
|              | 63       | 70 | 80 | 0,43 |            |  |

INDIQUE EL TEJIDO DEL MUESTRARIO EN EL PEDIDO. TELA CLIENTE SIN COSTE ADICIONAL

|              |       |       |      |      |            |  |
|--------------|-------|-------|------|------|------------|--|
| <b>45355</b> | STOOL |       |      |      | <b>170</b> |  |
|              | 24,8  | 27,56 | 31,5 | 0,43 |            |  |

INDICATE THE FABRIC FROM THE SWATCH BOOK. COM FABRIC DOES NOT INCUR AN EXTRA CHARGE



|              |               |    |    |      |            |            |
|--------------|---------------|----|----|------|------------|------------|
| <b>40806</b> | SILLA DEMETER |    |    |      | <b>190</b> | <b>219</b> |
|              | 62            | 85 | 60 | 0,23 |            |            |

INDIQUE EL TEJIDO DEL MUESTRARIO EN EL PEDIDO. TELA CLIENTE SIN COSTE ADICIONAL

|              |               |       |       |      |            |            |
|--------------|---------------|-------|-------|------|------------|------------|
| <b>40806</b> | DEMETER CHAIR |       |       |      | <b>190</b> | <b>219</b> |
|              | 24,41         | 33,46 | 23,62 | 0,23 |            |            |

INDICATE THE FABRIC FROM THE SWATCH BOOK. COM FABRIC DOES NOT INCUR AN EXTRA CHARGE



|              |               |    |    |      |            |  |
|--------------|---------------|----|----|------|------------|--|
| <b>45353</b> | BANQUETA EN U |    |    |      | <b>174</b> |  |
|              | 75            | 50 | 50 | 0,24 |            |  |

INDIQUE EL TEJIDO DEL MUESTRARIO EN EL PEDIDO. TELA CLIENTE SIN COSTE ADICIONAL

|              |       |       |       |      |            |  |
|--------------|-------|-------|-------|------|------------|--|
| <b>45353</b> | STOOL |       |       |      | <b>174</b> |  |
|              | 29,53 | 19,69 | 19,69 | 0,24 |            |  |

INDICATE THE FABRIC FROM THE SWATCH BOOK. COM FABRIC DOES NOT INCUR AN EXTRA CHARGE

NOTAS / Notes

---

---

---

---

---

---

---

---

---

---

---

---

---

---

---

---

---

---

---

---

---

---

---

---

---







Franco Furniture

Ctra. Córdoba-Málaga, km. 78.54 | Tlf. +34 957 50 15 74 / +34 957 50 06 13 | email: info@ffrancoehijos.com

[www.francofurniture.es](http://www.francofurniture.es)